

**PRODUCT SPECIFICATIONS**

Elkay Commercial Electronic Lavatory Battery Powered Deck Mount Faucet with Cast Fixed Spout Chrome. Faucet has a flow rate of .5 GPM, and is made of Chrome Plated Brass material, with a Electronic Control Module valve. Faucet requires 1 faucet holes.

|                              |  |
|------------------------------|--|
| <b>Mounting Type:</b>        | Deck Mount   |
| <b>Special Features:</b>     | Low Flow<br>Solid Brass Construction<br>Hands free<br>Sensor activated |
| <b>Finish:</b>               | Chrome (CR)  |
| <b>Handle Type:</b>          | Sensor Operated (Hands Free)   |
| <b>Deck Clearance:</b>       | 3-11/16"   |
| <b>Spout Reach:</b>          | 4-3/4"   |
| <b>Spout Height:</b>         | 4-3/4"   |
| <b>Hole Drillings:</b>       | 1  |
| <b>Material:</b>             | Chrome Plated Brass  |
| <b>Valve Type:</b>           | Electronic Control Module  |
| <b>Valve Connection:</b>     | 3/8" Female Compression Hose Assembly                                  |
| <b>Flow Rate:</b>            | .5 GPM   |
| <b>Countertop Thickness:</b> | 1-1/2  |
| <b>Spout Swing Rotation:</b> | 0°   |
| <b>Spout Type:</b>           | Fixed Spout  |

**Special Note:** in-line filter with clean out trap and flexible supply hose.



**Included with Product:** AC plug-in and battery holder with four AA batteries

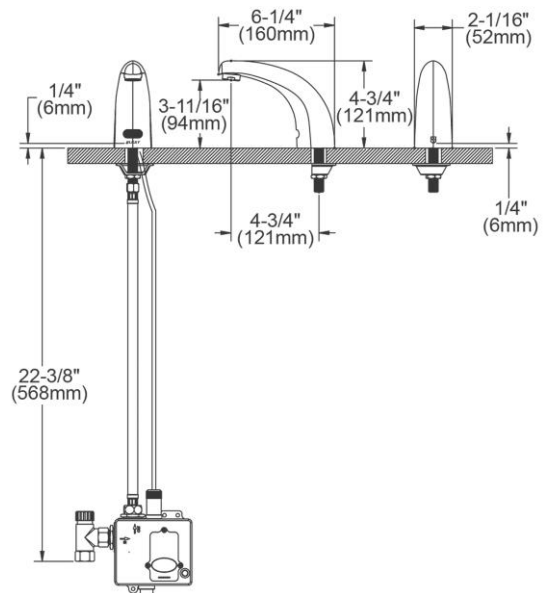
AMERICAN PRIDE. A LIFETIME TRADITION.  
Like your family, the Elkay family has values and traditions that endure. For almost a century, Elkay has been a family-owned and operated company, providing thousands of jobs that support our families and communities.

**Product Compliance:** ADA & ICC A117.1  
ASME A112.18.1/CSA B125.1  
NSF 61  
NSF 372 (lead free)



Complies with ADA & ICC A117.1 accessibility requirements when installed according to the requirements outlined in these standards.

[Clean and Care Manual \(PDF\)](#)  
[Installation Instructions \(PDF\)](#)  
[Limited Warranty \(PDF\)](#)



PART: \_\_\_\_\_ QTY: \_\_\_\_\_  
 PROJECT: \_\_\_\_\_  
 CONTACT: \_\_\_\_\_  
 DATE: \_\_\_\_\_  
 NOTES: \_\_\_\_\_  
 APPROVAL: \_\_\_\_\_

*In keeping with our policy of continuing product improvement, Elkay reserves the right to change product specifications without notice. Please visit [elkay.com](http://elkay.com) for the most current version of Elkay product specification sheets. This specification describes an Elkay product with design, quality, and functional benefits to the user. When making a comparison of other producers' offerings, be certain these features are not overlooked.*