

GUARDIAN DUAL CHECK

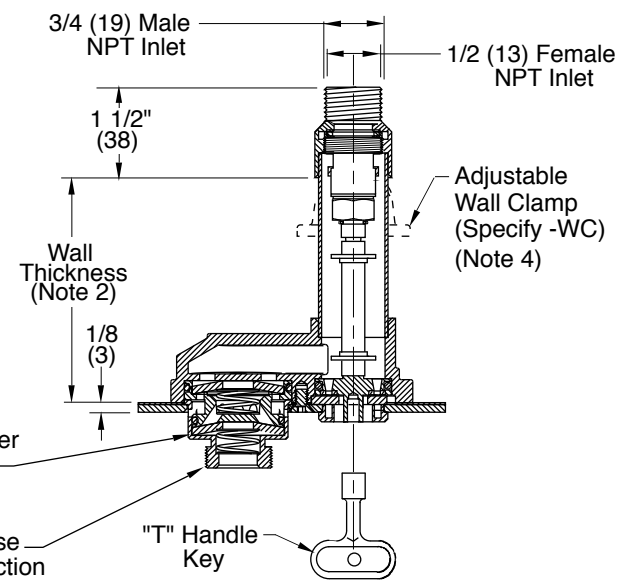
1/4 TURN NON-FREEZE WALL HYDRANT WITH AUTOMATIC DRAINING INTEGRAL VACUUM BREAKER AND DUAL CHECK VALVE

EXPOSED HOSE CONNECTION

FUNCTION: For installation in interior or exterior building walls where an exposed hose connection is acceptable. Provides positive non-freeze protection. Adaptable to all types of wall construction.

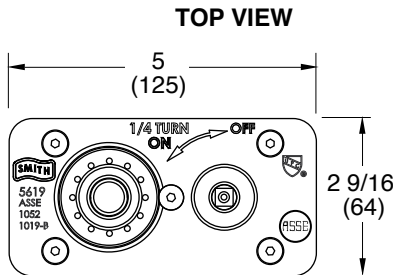
1/4 Turn of the Key Allows Full Flow to Be Obtained

Installer is responsible for providing a 100% watertight positive seal at the hydrant to wall interface. Seal all the flange with an appropriate sealant recommended by a sealant manufacturer. **NOTE:** Jay R. Smith does not warrant the performance or life expectancy of the sealant material.



NOTES:

1. Recommended wall opening 2 1/4 (57) x 4 (100).
2. When ordering, specify wall thickness in 1 (25) increments as follows 4,5,6,7,8.....24.
3. All Jay R. Smith hydrants are manufactured with "NO-LEAD" brazing rings, and USDA approved lubricants.
4. When wall clamp -WC is desired, increase wall thickness dimension by 2 (51).
5. Add 3/4 (19) to Overall Length When Specified
6. When specifying Fig. 5619 (-SAP) the wall thickness shall be 2 (51).
7. Dimensions shown in parentheses are in millimeters.
8. The AB1953, California Lead Law, and NSF/ANSI Standard 61-2008 - Drinking Water System Components are not applicable to Jay R. Smith hydrants as they do not convey/dispense water for human consumption through drinking or cooking.
9. **FOR IRRIGATION PURPOSES ONLY.**



FRONT VIEW

FIG. 5619

Meets ANSI A112.21.3M Specifications
 Complies w/ ASSE 1019-B, 1052 and 1053.
 IAPMO Listed- File #2749
 Patent No. US 6,752,167

Seepage of a small amount of water may occur from the Vacuum Breaker upon the initial opening and closing of this hydrant. This is normal operation.

REGULARLY FURNISHED:

Bronze Quarter Turn Non-Freeze Automatic Draining Hydrant with Stainless Steel Face, Hose Connection, Integral Vacuum Breaker and Dual Check Valve and "T" Handle Key.

VARIATIONS:

- Adjustable Wall Clamp -WC (Note 4)
- 1 (25) Hose Connection -HC1
- 1 (25) Male NPT Inlet Connection -IC1 (Note 5)
- Mild Climate -SAP (Note 6)
- Wheel Handle (-WH)

OPTIONAL MATERIALS:

- Polished Bronze Face -PB
- Chrome Plated Face -CP

DRAWING NUMBER s5619
 SIZE A
 SCALE: NONE
 DATE: 3-24-03
 APPROVED BY: CEL
 CHECKED BY: CL
 DRAWN BY: RN
 FIGURE NUMBER 5619
 DIMENSIONS ARE SUBJECT TO MANUFACTURERS TOLERANCE AND CHANGE WITHOUT NOTICE

REV.	DATE	DESCRIPTION	BY	CKD. BY	WEIGHT POUNDS	VOLUME CUBIC FEET	FIGURE NUMBER
							5619

A

SMITH® JAY R. SMITH MFG. CO.®
 MEMBER OF MORRIS GROUP INTERNATIONAL
 POST OFFICE BOX 3237
 MONTGOMERY, ALABAMA 36109-0237 (USA)
 TEL: 334-277-8520 FAX: 334-272-7396 www.jrsmith.com



LOCATION

DRAWING NUMBER
5619BS

SIZE
A

SCALE:
NONE

DATE:
3-24-03

APPROVED BY:
CEL

CHECKED BY:
CL

DRAWN BY:
RN

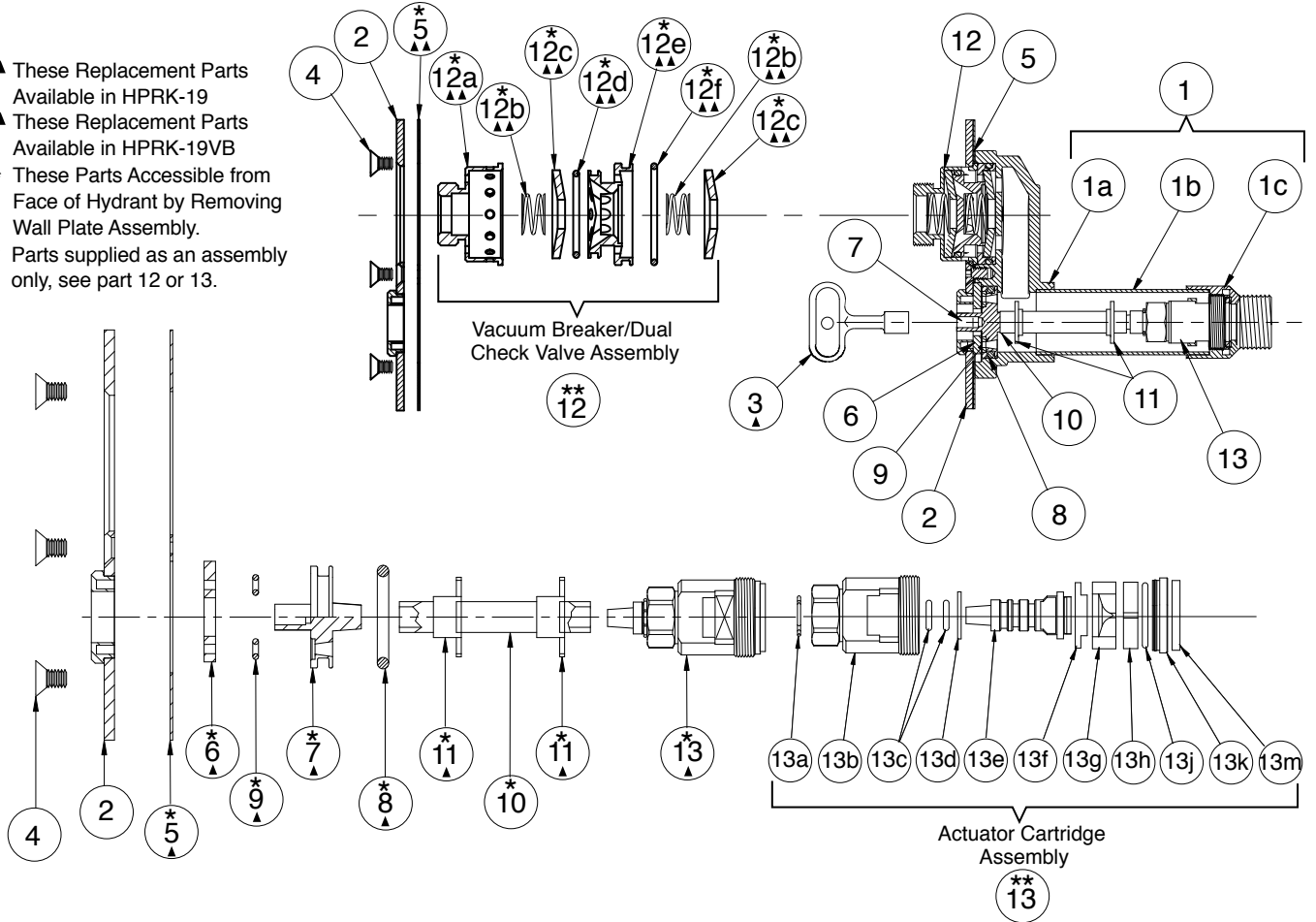
FIGURE NUMBER
5619BS

WE CAN ASSUME NO RESPONSIBILITY FOR USE OF SUPERSEDED OR VOID DATA

DIMENSIONS ARE SUBJECT TO MANUFACTURERS TOLERANCE AND CHANGE WITHOUT NOTICE

GUARDIAN DUAL CHECK HYDRANT PARTS LIST

- ▲ These Replacement Parts Available in HPRK-19
- ▲▲ These Replacement Parts Available in HPRK-19VB
- * These Parts Accessible from Face of Hydrant by Removing Wall Plate Assembly.
- ** Parts supplied as an assembly only, see part 12 or 13.



Installer is responsible for providing a 100% watertight positive seal at the hydrant to wall interface. Seal all the flange with an appropriate sealant recommended by a sealant manufacturer. NOTE: Jay R. Smith does not warrant the performance or life expectancy of the sealant material.

HYDRANT PARTS LIST							
NO.	DESCRIPTION	NO.	DESCRIPTION	NO.	DESCRIPTION	NO.	DESCRIPTION
1	Casing Assembly	7	Moveable Operator Piece	12d	**Small O-Ring	13f	**Nylon Thrust Washer
1a	Head	8	Moveable Operator O-Ring	12e	**Flow Diverter	13g	**Rotating Ceramic Disc
1b	Casing	9	Drain Hole Seal (2)	12f	**Large O-Ring	13h	**Fixed Ceramic Disc
1c	Valve Housing	10	Operator Rod	13	Actuator Cartridge Assembly	13j	**O-Ring
2	Wall Plate Assembly	11	Operator Rod Guides (2)	13a	**Retaining Ring	13k	**O-Ring Gasket Retainer
3	Key	12	Vacuum Breaker/Dual Check Valve Assembly	13b	**Valve Body	13m	**Rubber Seal
4	Wall Plate Securing Screw (5)	12a	**Vacuum Breaker Housing	13c	**Actuator O-Ring (2)		
5	Wall Plate Gasket	12b	**Spring (2)	13d	**Nylon Thrust Spacer		
6	Stationary Operator Piece	12c	**Cone Washer (2)	13e	**Valve Actuator		

A	4-5-18	Added Note	TBW	BW
REV.	DATE	DESCRIPTION	BY	CKD. BY

WEIGHT POUNDS	VOLUME CUBIC FEET

FIGURE NUMBER
5619BS