

A171.8-UG, A171.8-UG-VR & A171.8-UG-SO Series Barrier Free, Wall Mounted Water Cooler

MODEL SERIES:

A171108F-UG / A171408F-UG / A171108S-UG / A171408S-UG
171108F-UG-VR / A171408F-UG-VR / A171108S-UG-VR / A171408S-UG-VR
A171108F-UG-SO / A171408F-UG-SO / A171108S-UG-SO / A171408S-UG-SO



A171108F-UG



A171408S-UG-VR



A171108F-UG-SO



NOTES TO INSTALLER:

1. Please leave this documentation with the owner of the fixture when finished.
2. Please read this entire booklet before beginning the installation.
3. Check your installation for compliance with plumbing, electrical and other applicable codes.
4. **IMPORTANT:** Water supply to unit from RO Reverse Osmosis filtration systems will damage fixture components and void product Warranty.

IMPORTANT

OPTIONAL BOTTLE FILLER INSTALLATION DETAILS (MODEL # BF11, BF12, BF11S, BF12S):

This series is offered with optional Bottle Filler unit (packaged / shipped separately) which requires Wall mounting.

Rough-In and Installation details for Bottle Fillers are shipped with the Bottle Filler specified.

For Installation details refer to the specified Bottle Filler Product Page Downloads using the following link:

www.murdockmfg.com/bottle-fillers

TECHNICAL ASSISTANCE TOLL FREE TELEPHONE NUMBER:

1.800.743.8259

Technical Assistance E-Mail: Fieldservice@acorneng.com

For current Warranty click hyperlink [Product Warranty](#) or visit: www.murdockmfg.com/terms-and-warranty

Murdock assumes no responsibility for use of void or suspended data. © Copyright Murdock, City of Industry, CA Member of Morris Group International. Please visit www.murdockmfg.com for most current specifications.

7020-981-001 Date: 10/16/2024 C

COMPLIES WITH
STANDARDS



murdock[®]
SINCE 1853
Member of
MORRIS GROUP
INTERNATIONAL
15125 Proctor Ave, City of Industry,
CA, 91746 U.S.A.
Phone 800-453-7465
www.murdockmfg.com

IMPORTANT

This Fixture is intended for indoor use only** and is not suitable for installation in an area where a water jet could be used as well as in environments where freezing may occur. This fixture dispenses water that has been lowered in temperature, but otherwise remains unchanged by the materials in the Water Cooler. It is common for electrical equipment to be grounded to water lines either within a structure or away from it. Every attempt should be made to prevent this kind of grounding from generating electrical feedback into the Water Cooler creating electrolysis. Electrolysis will cause a metallic taste or cause water metal content to increase. **NOTE:** A Dielectric Coupling must be used to connect the Water Cooler to the water supply. A nonmetallic Coupler is furnished with this Water Cooler to meet this requirement.

****NOTE:** -VR Series units are rated for outdoors. Refer to page 5 for complete details and requirements.

ROUGHING-IN AND DIMENSIONAL DRAWING

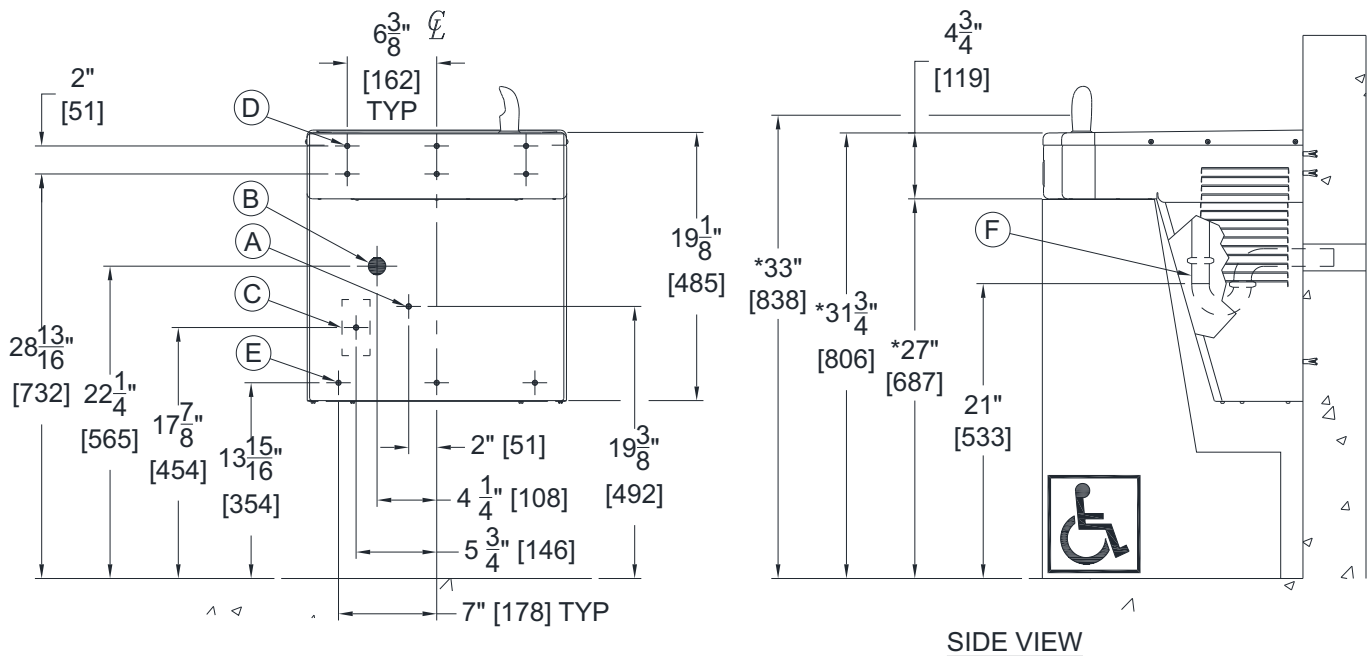
Prior to roughing-in, consult with local, state, and federal codes for proper mounting height. All installation and service may only be performed by authorized personnel. No unauthorized persons shall have access to the service area.

Mounting Carrier: Refer to Installation details provided by Carrier manufacturer when unit is to be installed with In-W all Mounting Carrier (provided by others). **Compatible J.R. Smith[®] brand Carrier model is Figure # 0830.**

A171.8-UG Series Wall Mounted Drinking Fountain

GENERAL NOTES:

1. ALL DIMENSIONS ARE IN INCHES [MM]
 2. ALLOW 4 INCHES [102 MM] MINIMUM CLEARANCE PER SIDE FOR VENTILATION
 - *3. DIMENSIONS SHOWN ARE FOR ADA ADULT HEIGHT. ADJUST VERTICAL DIMENSIONS AS NECESSARY TO COMPLY WITH FEDERAL, STATE, & LOCAL CODES
 4. STOP VALVE, P-TRAP, & ELECTRICAL OUTLET NOT SUPPLIED
 5. IMPORTANT: COOLERS MUST BE ATTACHED TO WALL WITH APPROPRIATE ANCHOR SCREWS
- A. 3/8" O.D. SUPPLY INLET
 - B. WASTE OUTLET FOR P-TRAP BY OTHERS FOR PROVIDED 1-1/4" O.D. TAILPIECE
 - C. ELECTRICAL SERVICE ROUGH. SEE NOTE.
 - D. Ø3/8" HANGER BRACKET PUNCHING, 6 PLACES FOR ANCHORING HARDWARE BY OTHERS
 - E. Ø1/4" PUNCHING, 3 PLACES FOR ANCHORING HARDWARE BY OTHERS
 - F. 1-1/4" [32] O.D. TAILPIECE FOR P-TRAP BY OTHERS



Electrical Requirements (Chiller Models):
 - Provide Duplex Receptacle on GFCI Protected Circuit
 - (Standard) 115VAC, 60Hz, 5A
 - (220V Option) 220VAC, 60Hz, 3A

NOTES: Dimensions indicated (*) are for ADA frontal approach installation. Adjust vertical dimension (*) as required to comply with federal, state, and local codes. For Child ADA compliant parallel approach, decrease Bubbler spout height to 30" maximum above finished floor. Provide clear floor space as required. Compliance is subject to the interpretation and requirements of the Local Code Authority.

PRIOR TO INSTALLATION:

Important: Some options may slightly alter installation including optional Bottle Filler. To ensure proper installation, review the Manual thoroughly and verify rough-ins before beginning work. Leave this Manual with the owner or maintenance personnel upon completion of installation.

- Fixture mounting requirements: Industry standard wall construction, adequate to support the fixture and installer-provided Wall Anchors sufficient to secure the fixture.
- Receptacle(s) must be wired to a GFCI protected circuit. Fixture must be earth grounded per NEC (National Electric Code).
- Inspect fixture and all parts for damage.
- To avoid a hazard due to instability, fixture must be installed in accordance with the instructions.

IMPORTANT:

1. Waste P-Trap, Water Supply Service Angle Stop Valve, and 2" x 4" Electrical Plug-In Receptacle to be supplied by others in accordance with local codes. A P-Trap (by others) must be used for the Drain connection.
2. Provide 4" minimum clear space on fixture sides to allow for proper ventilation through Cabinet Louvers.
3. Water Supply Inlet is 3/8" Outer Diameter copper Tubing. Waste Outlet is 1-1/4" Outer Diameter.
4. Completely flush supply lines of all foreign debris before connecting to fixture. Water Cooler is designed to not cause problems with taste, odor, color, or sediment. Optional (-WF1) Water Filter is available should any of these problems arise from the Water Supply.
5. Do NOT solder Tubing inserted into the Coupler as damage to the O-Ring may result.
6. All burrs must be removed from outside of cut Tubing before inserting into Coupler or other components.
7. Power Supply must be identical in voltage, cycle and phase to that specified on the Water Cooler Data Plate. Electrical Outlet and furnished Power Cord with Plug must be used to supply power to fixture. Do NOT wire Compressor directly to the Power Supply.
8. This unit must be grounded per the requirements of applicable electrical codes.
9. Warranty is voided if installation is not followed per current Murdock Mfg. installation instructions and if components are assembled to the fixture that are not approved by Murdock Mfg.
10. Fixture is to operate within a water pressure range of 20 PSIG (138 kPa) to 105 PSIG (724 kPa). Warranty is void if the unit is allowed to operate outside the range of 20 PSIG (138 kPa) to 105 PSIG (724 kPa). **Consult with UPC and local codes for maximum allowable water pressures.**
11. Due to cold waste water, Murdock Mfg. recommends that P-Trap supplied by installer be insulated to prevent excessive condensation.
12. **609.10 Water Hammer.** *Building water supply systems where quick-acting valves are installed shall be provided with water hammer arrester(s) to absorb high pressures resulting from the quick closing of these valves. Water hammer arresters shall be approved mechanical devices that comply with ASSE 1010 or PDI-WH 201 and shall be installed as close as possible to quick-acting valves.*
13. **609.10.1 Mechanical Devices.** *Where listed mechanical devices are used, the manufacturer's specifications as to location and method of installation shall be followed.*
14. If the Power Supply Cord is damaged, it may only be replaced by authorized qualified persons.

INSTALLATION:

1. Mount Hanger Bracket to wall horizontally level as shown in Roughing-In and Dimensional Drawing.
NOTE: Adjust height of Bracket if Bubbler outlet height is required to vary from that shown /indicated. Hanger Bracket **MUST** be securely anchored to wall with fasteners sufficient to support 3 times the weight of Water Cooler.
NOTE: *If wall cannot provide adequate support, order and install fixture support carrier.*
NOTE: *If replacing a competitors Water Cooler you may be able to use existing mounting bracket.*
2. Remove the Bottom Cover from the Water Cooler and set aside in a safe place. Place the Screws in a secure location for re-use in later stages of installation.
3. Hang the Water Cooler on the Hanger Bracket, ensuring the Bracket Tabs engage AND seat in the slots in the back of the Water Cooler. Verify Water Cooler is level, left to right AND front to back from bottom of unit. **NOTE:** The Bubbler stream may be adversely affected if unit is not square and level. Bottom of unit and Louvers should be used as reference to verify unit is square and plumb.
4. Anchor Water Cooler to wall at other mounting points in Base. Shim lower rear mounting points to level unit, if necessary.
5. Thoroughly flush the 3/8" O.D. supply line and then connect Water Cooler to water supply Angle Stop Valve (by others) with supplied 3/8" O.D. Copper Tubing.
6. Make up 1-1/4" O.D. Waste Connection for P-Trap (by others).

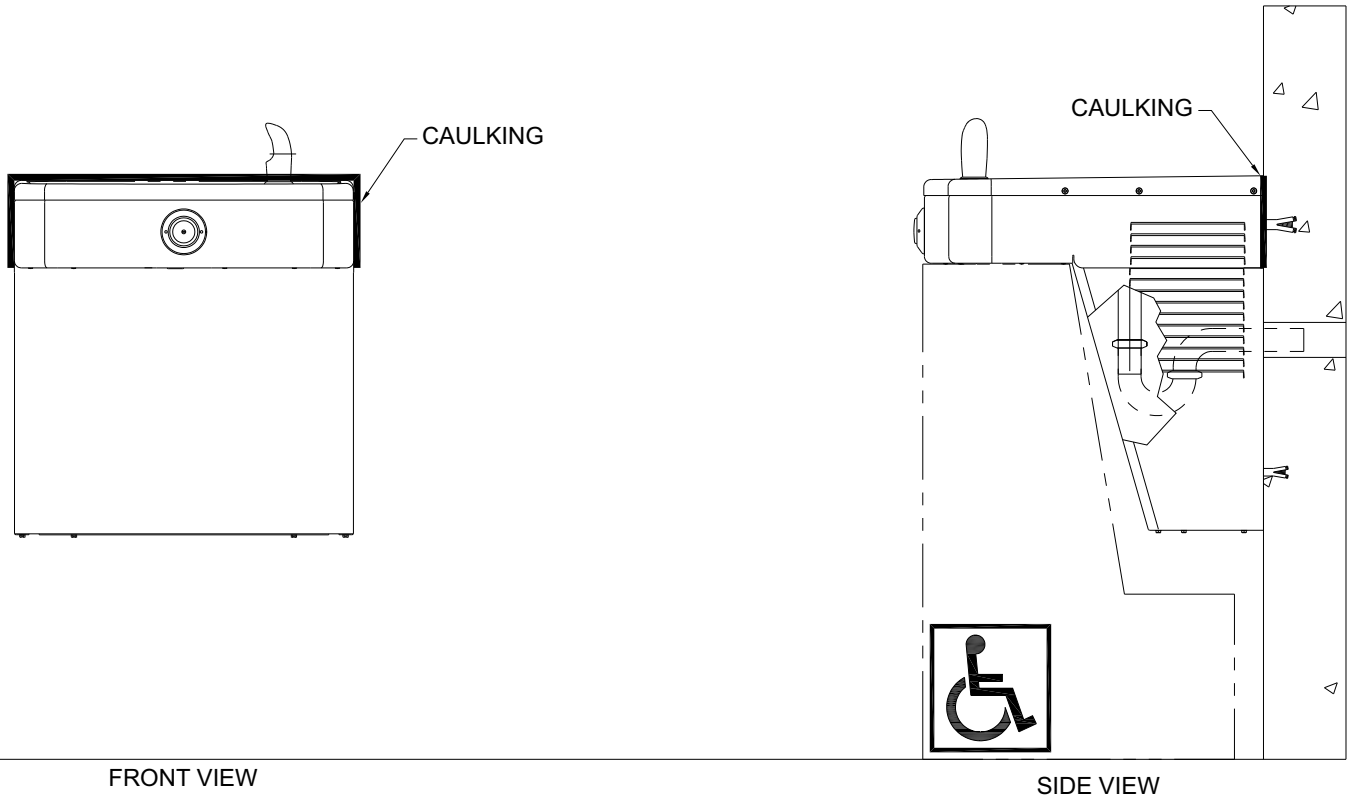
START UP:

1. **Do not connect electrical power to unit:** With Bottom Cover removed, turn on fixture water supply and check all connections for leaks.
2. Air within the Water Cooler system or the structure supply piping will cause an irregular Bubbler outlet stream until purged out by incoming water. Thoroughly flush and purge air from supply line by depressing the Pushbutton or activating infrared sensor, until steady water stream is achieved.
3. If water flow requires adjustment, insert a slotted narrow blade Screwdriver through the hole centered on the Pushbutton to the Flow Regulator. Turning clockwise will increase flow and turning counterclockwise will decrease flow.
4. Recheck all water and drain connections with water flowing through system.
5. With power still **NOT** connected, carefully rotate Cooling Fan manually to insure proper clearance and free Fan action.
6. Plug Water Cooler into Electrical Outlet and make sure unit begins to function. **IMPORTANT:** After turning power on to initiate cooler and cool down, immediately purge (chiller) water by operating unit continuously for approx. 1 minute.
7. **IMPORTANT! Thoroughly, inspect all unit connections for water leaks.**
8. Assemble Bottom Cover to Water Cooler with Screws furnished.

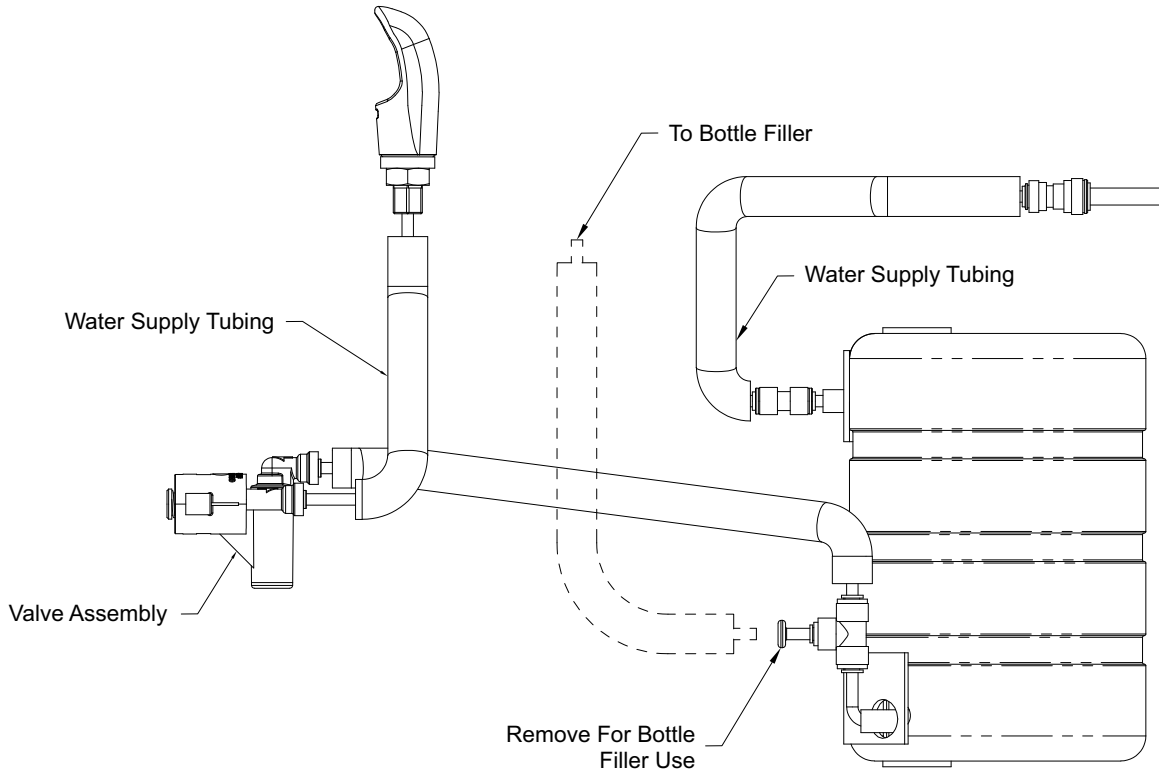
OUTDOOR INSTALLATION INSTRUCTIONS - A171.8-UG-VR ONLY:

IMPORTANT: Only A171.8-UG-VR Series, BF11S, BF12S Stn Stl Bottle Fillers are rated for outdoors.

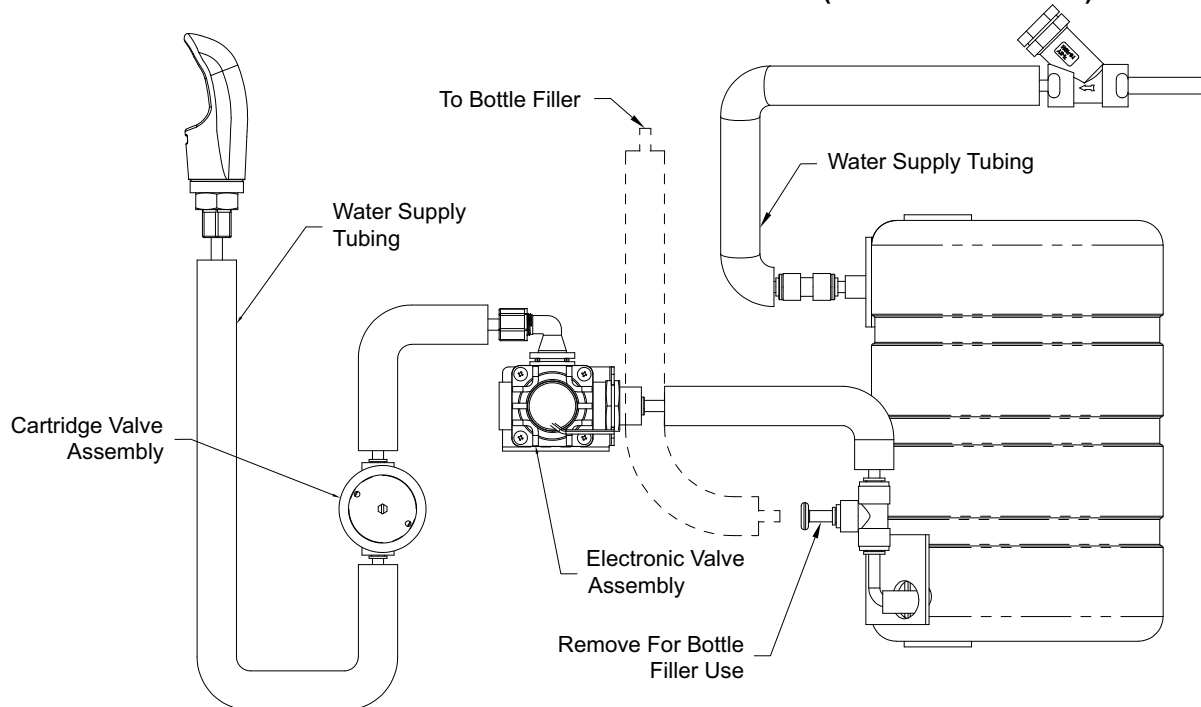
- Units installed outdoors presume average conditions and require adequate protection to prevent exposure to extreme hot or cold temperatures which will affect Warranty.
- Best practices include installation beneath an overhang and avoiding direct sunlight.
- Continual ambient temperatures exceeding 80°F (26.67°C) may cause compressor to wear prematurely.
- Units are not freeze resistant.
- Caulk all around the basin where it contacts the wall and where apron contacts the wall as shown, to reduce the possibility of rain water from leaking into the cabinet. **DO NOT CAULK THE REMOVABLE LOWER ACCESS COVER.**



A171.8-UG & A171.8-UG-VR PRESSURIZED SINGLE UNIT PIPE INSTALLATION (WITH -BF OPTIONS)



A171.8-UG-SO PRESSURIZED SINGLE UNIT PIPE INSTALLATION (WITH -BF OPTIONS)

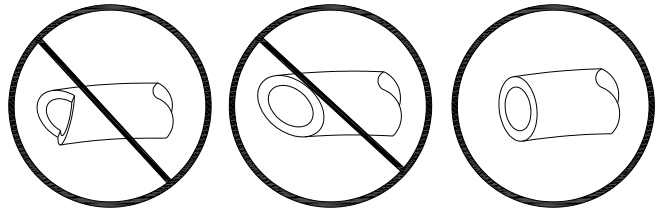


PUSH-IN FITTING INSTALLATION

NOTE: FITTINGS AND TUBE SHOULD BE KEPT CLEAN, BAGGED AND UNDAMAGED PRIOR TO INSTALLATION.

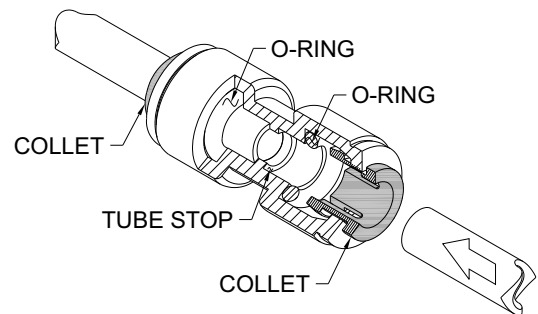
TO CUT TUBE:

Cut to fit length of 1/4" PE Tubing and remove any burrs or sharp edges. Ensure that the outside diameter is free from scored marks. Tube ends should be square.

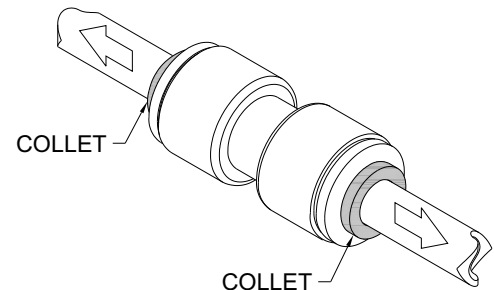


INSERTING THE TUBE:

1. Firmly and fully insert the Tubing end into the Push-In Fitting up to the Tube Stop located approximately 1/2" deep.

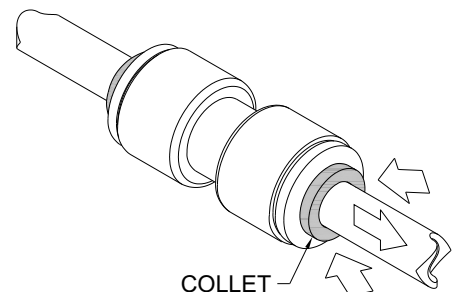


2. Pull on the fitted Tubing to ensure it is secure. Tube should not come free from the Fitting. Water test the Connection assembly prior to leaving the site to ensure there are no leaks.



DISCONNECTING THE TUBE:

To disconnect the tube from the Fitting, ensure that the water line is depressurized. Push Collet square towards the Push-In Fitting Body and hold. While holding the Collet in, pull on the plastic PE Tubing to remove from the Push-In Fitting.



OPTIONAL WATER FILTER INSTALLATION:

(Not all Filter options shown below are offered with all units.)

-WF1EZ AND -WF3EZ FILTER (Detail A):

REFER TO INSTALL DETAILS SHIPPED WITH EZ-DOOR[®] FILTER
[WF1EZ INSTALL LINK](#) [WF3EZ INSTALL LINK](#)

-WF1 FILTER CARTRIDGE INSTALLATION:

WATER FILTER HAS 1500 GALLON CAPACITY, CARTRIDGE WILL REQUIRE REPLACEMENT AFTER 50 HOURS OF ACTUAL OPERATIONAL USAGE. FREQUENCY OF FIXTURE OPERATION WILL DETERMINE TIME FRAME FOR CARTRIDGE REPLACEMENT. (-SO, -SOC, -FG MODELS)

IMPORTANT: FLUSH 3-5 GALLONS OF WATER THROUGH THE FILTER BEFORE INITIAL USE!

- *Bubbler run time for approximately 10-15 minutes*
- *Bottle Filler run time for approximately 3-5 minutes*

-WF3000 PFAS FILTER CARTRIDGE INSTALLATION:

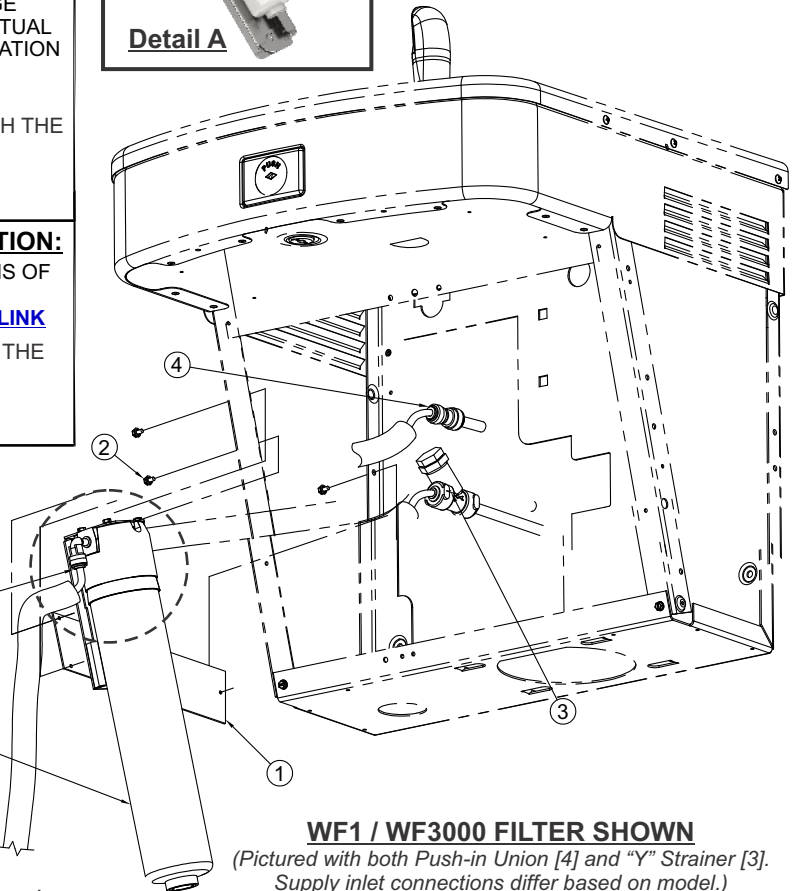
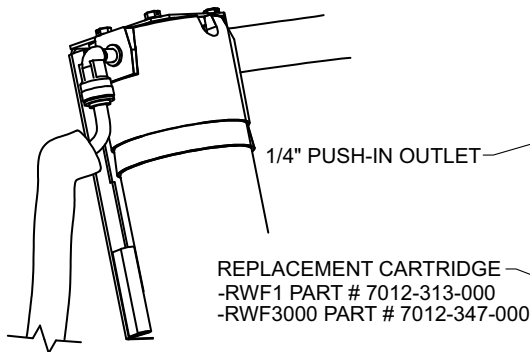
FILTER REQUIRES REPLACEMENT AFTER 3000 GALLONS OF USAGE OR (1) YEAR, WHICHEVER OCCURS FIRST. FOR ADDITIONAL DETAILS REFER TO [WF3000 INSTALL LINK](#)

IMPORTANT: FLUSH 6 GALLONS OF WATER THROUGH THE FILTER BEFORE INITIAL USE!

- *Bubbler run time for approximately 12 minutes*
- *Bottle Filler run time for approximately 6 minutes*



Detail A



WF1 / WF3000 FILTER SHOWN

(Pictured with both Push-in Union [4] and "Y" Strainer [3]. Supply inlet connections differ based on model.)

-WF1, -WF3000 INSTRUCTIONS:

A- Prepare unit for filter installation:

Remove the bottom housing and turn off unit water supply. If unit is a refrigerated model, disconnect power supply.

B- Assemble filter to fixture mounting bracket: Place filter/bracket assembly [1] on inside of Unit Frame and align holes in the Bracket with the holes of the Unit Frame.

C- Use the screws [2] provided to pass thru the Frame clearance holes and screw into the bracket holes.

D- Chiller unit: Install Filter prior to Evaporator.

Non-Chilled unit: Install Filter prior to Pushbutton.

(Note: "Y" Strainer shown is provided on select models only.)

Follow PE tube from "Y" strainer [3] or Push-in Union [4] to where it connects to the Evaporator (for chiller unit) or to Pushbutton (for non-chilled unit).

Disconnect tube from Evaporator or Pushbutton, connect to Filter inlet Push-in Connection.

Connect new PE tube provided with Filter to Evaporator push-in inlet, where tube was removed. Upon completion filter will be between "Y" Strainer and Evaporator (chiller) or Pushbutton (no chiller).

-WF1, -WF3000 INSTRUCTIONS continued:

F- Turn on water.

CHECK ALL CONNECTIONS FOR LEAKS!

G- IMPORTANT: follow flushing instructions for filter type before allowing fixture use.

H- For refrigerated unit, turn on power supply and check unit for proper operation.

I- Re-install bottom housing.

NOTES:

- 1- TO DISCONNECT THE TUBE FROM THE PUSH-IN FITTING TUBE HOLD DOWN GRIPPER AND PULL TUBE OUT SLOWLY.
- 2- TO CONNECT PUSH-IN FITTINGS, PUSH TUBE IN ALL THE WAY TO MAKE A GOOD CONNECTION. CARTRIDGE REPLACEMENT.

TROUBLESHOOTING:

IMPORTANT: BEFORE MAKING ANY OF THE REPAIRS LISTED, MAKE SURE THE WATER COOLER IS DISCONNECTED FROM THE ELECTRICAL SUPPLY AND THE WATER SUPPLY VALVE IS SHUT OFF.

IMPORTANT: ASSUREZ-VOUS QUE LA FONTAINE D'EAU POTABLE RÉFRIGÉRÉE SOIT DÉBRANCHÉE DE LA PRISE DE COURANT MURALE ET QUE LE ROBINET D'ALIMENTATION D'EAU SOIT FERMÉ AVANT D'EFFECTUER LES RÉPARATIONS NÉCESSAIRES.

1. Adjustments:

- a. Cartridge – The water flow can be adjusted using a slotted narrow blade Screwdriver and turning clockwise to increase flow and counterclockwise to decrease flow.
- b. Bubbler Stream – Bubbler can be rotated slightly to direct the stream backwards or forwards. Adjust the stream to minimize splashing. Splashing may occur from Bubbler stream if the unit is not level. Shim lower mounting points, if necessary, to level Water Cooler.
- c. Cold Water Thermostat – **IMPORTANT:** Thermostat is Factory pre-set. Thermostat settings should never be field adjusted since damage to fixture may occur, voiding product Warranty.

2. Compressor Does Not Run

- a. Check the Power Supply Cord.
- b. Check the electrical Receptacle for power and correct voltage. The incoming voltage must be within 10% of the rated voltage on the Serial Nameplate.
- c. The Cold Thermostat is accessible by removing the Bottom Access Cover. If the Cold Thermostat Capillary Bulb loses its charge or becomes kinked, it will fail in the open position causing a disruption of power to the Compressor. Unplug the Water Cooler and using an ohm Meter, check for continuity across the two electrical Terminals on the Thermostat. Install a new Thermostat if there is no continuity.
- d. Check for loose wires within the Compressor Box. The incoming power Leads must be connected to the Overload and Relay.
- e. If all components check positive for continuity, then test the Wiring Harness Plug for continuity to see if there is a broken Wire within the Wiring Harness insulation.

3. Compressor Runs – Water Is Warm

- a. The most common cause for a Water Cooler to run without producing cold water is a loss of refrigerant. The Water Cooler must be taken to a certified refrigerant technician for repairs.
- b. Make sure the Condenser Fan Motor is operative. The Fan Blade must turn freely to help remove the heat.
- c. An incorrect refrigerant charge, restriction, or defective Compressor (not pumping) will also cause the Compressor to run without producing cold water. All these signs indicate a problem within the refrigeration system and the Water Cooler must be checked by an authorized service company.

4. Compressor Cycling On Overload Protector

- a. A dirty Condenser or a blocked Fan will cause a high head pressure and frequent cycling of the Overload Protector.
- b. Check the incoming voltage to make sure it is within 10% of the Serial Nameplate rating.
- c. A restriction or moisture in the system will also cause intermittent cycling. A certified refrigeration mechanic should be contacted in this situation.
- d. Change the Overload or Relay if defective.

TROUBLESHOOTING (CONTINUED):

5. Noisy Operation

- a. Check to make sure the fan blade is rotating freely.
- b. Make sure the water cooler is correctly mounted to the wall. Absence of the two lower mounting bolts may cause excess noise and vibration.
- c. Check the compressor mounting to make sure the pins and clips are not rattling. If the compressor appears to be noisy internally, it must be replaced.

6. Restricted Or No Water Flow

- a. Ensure water supply service stop valve is fully open.
- b. Verify minimum 20 psig supply line flow pressure.
- c. Check for twists or kinks in bubbler tubing.
- d. Check the water inlet strainer. Sediment from the main supply can get trapped in the screen along with installation materials such as pipe dope and flux. The screen should be cleaned and checked on a regular basis and replace if needed.
NOTE: STRAINER SCREEN MUST BE IN PLACE FOR WATER TO FLOW.
- e. The cartridge valve located in the water control assembly or bubbler can also become clogged with foreign material. The cartridge valve can only be replaced and not repaired.
- f. Check flow adjustment. See start up note #3.
- g. The water cooler may develop a freezing condition in which the water will become frozen inside the evaporator coil. This indicates a refrigeration problem or thermostat failure. Disconnect the electrical power and have the unit checked by a qualified technician.

For Sensor Operated Coolers

- h. If light within sensor does NOT flash when the users hands are within range:
 - i: Verify power supply to transformer
 - ii Replace defective 9VDC transformer.
 - iii: Transformer polarity crossed. Replace Transformer. (Sensor may be damaged and need replacing)
 - iv: Sensor in "Security Mode" after 90 seconds of constant detection. Remove source of detection and wait 30 seconds before checking.
 - v: Sensor range is too short or too long. See SENSOR RANGE ADJUSTMENT section.
 - vi: Sensor is picking up a highly reflective surface. Eliminate cause of reflection and wait.

CLEANING & MAINTENANCE GUIDE:

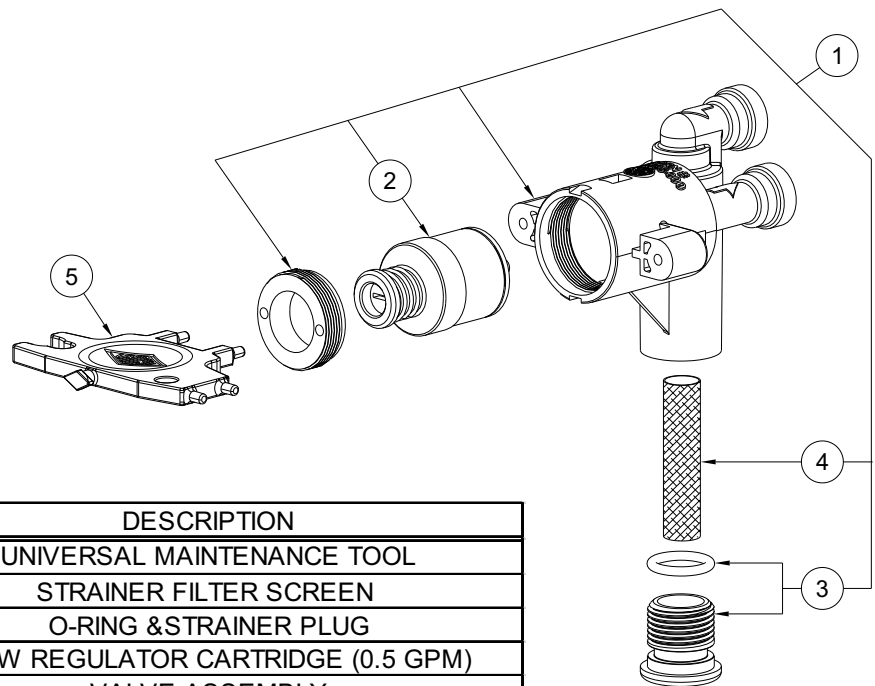
1. Motors have lifetime lubrication and do not require scheduled maintenance.
2. Excess dirt or poor ventilation will cause the compressor overload protector to turn the compressor off and it will cycle on and off with no cold water coming out of bubbler. Periodically clean with vacuum cleaner, air hose or brush the condenser fins and cabinet ventilation louvers. In environments where dirt and dust is more prevalent, clean more frequently.
3. Periodically remove access panels and clean out in-line strainer.
4. Do NOT use harsh chemicals, abrasive or petroleum based cleaners. Use of these will void the product warranty.
5. Exterior panels can be cleaned using mild household detergents or warm, soapy water. Extra care must be used cleaning chrome plated items and mirror finished stainless steel. They can scratch easily and should only be cleaned using a clean, soft cloth and mild soap with water or a mild glass cleaner.

CARTRIDGE REPLACEMENT/ STRAINER MAINTENANCE (STANDARD)

Note: Use the Universal Maintenance Tool to perform the following:

1. Strainer Plug **must** be removed before Cartridge replacement and Strainer maintenance (no need to turn the water off at the Angle Stop). Some residual water will drain during Plug removal.
2. Clean Strainer as needed using clean water.
3. Cartridge Replacement - insert diamond end of the Universal Tool into Pushbutton, rotate 90 degrees and pull firmly to remove the Button. Remove Cartridge Retaining Nut . Remove and replace Cartridge. When replacing Cartridge, be sure to align the inlet and outlet Ports on the Cartridge with the Ports in the Valve Body.

• **NOTE: STRAINER SCREEN MUST BE IN PLACE FOR WATER TO FLOW.**

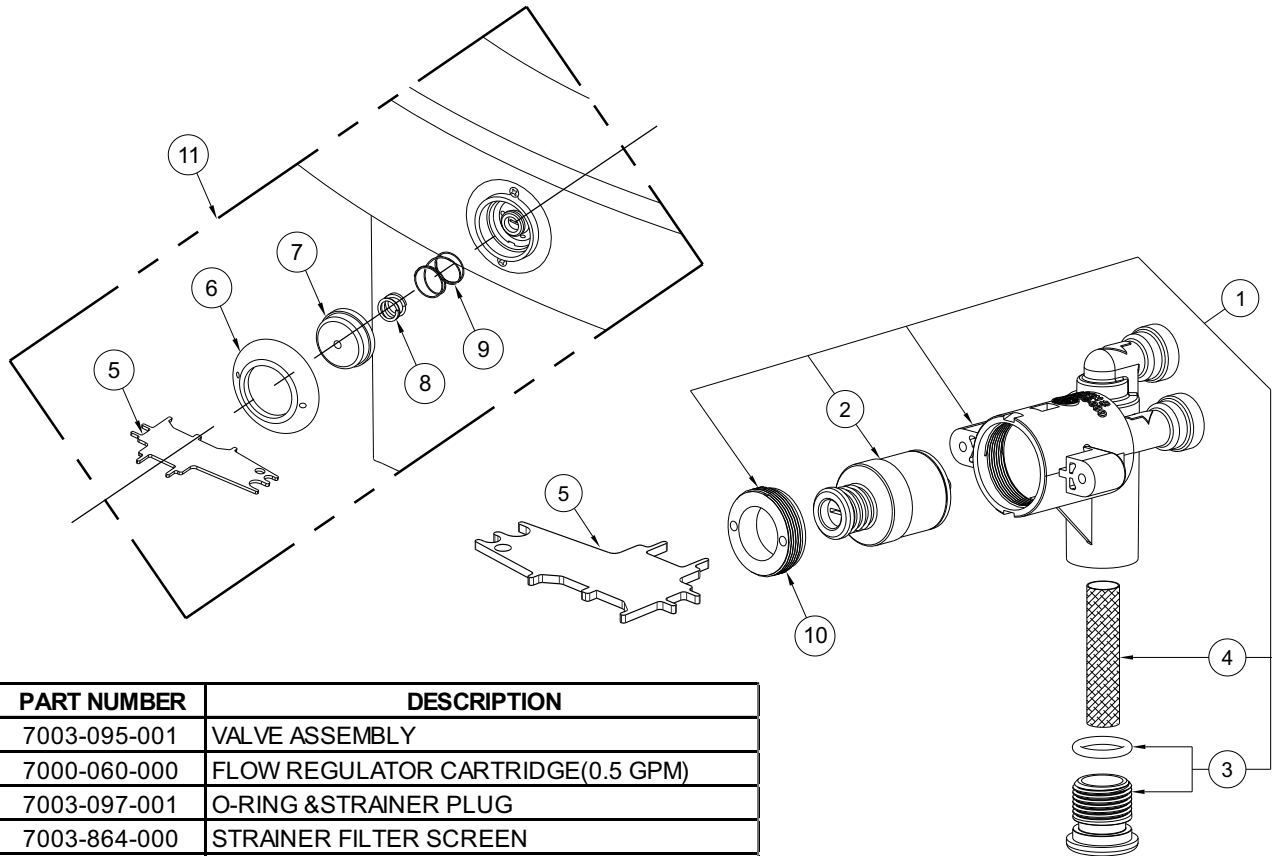


ITEM	PART NUMBER	DESCRIPTION
5	7003-830-000	UNIVERSAL MAINTENANCE TOOL
4	7003-864-000	STRAINER FILTER SCREEN
3	7003-097-001	O-RING & STRAINER PLUG
2	7000-060-000	FLOW REGULATOR CARTRIDGE (0.5 GPM)
1	7003-095-001	VALVE ASSEMBLY

-VR SERIES VANDAL RESISTANT CARTRIDGE REPLACEMENT/ STRAINER MAINTENANCE

Note: Use the -VR maintenance tool to perform the following:

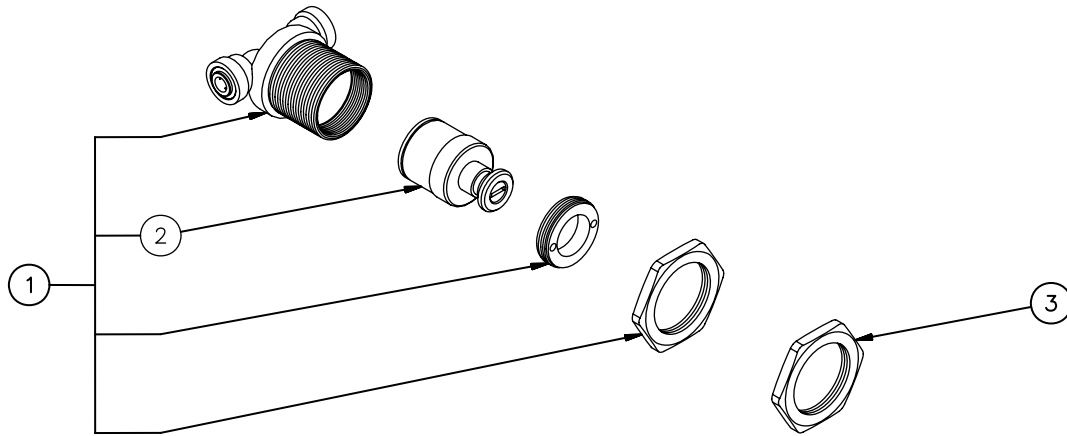
1. Strainer plug (4) **must** be removed before cartridge replacement and strainer maintenance (no need to turn the water off at the angle stop). Some residual water will drain during plug removal.
2. Clean strainer (4) as needed using clean water.
3. Cartridge replacement - Rotate and remove -VR pushbutton escutcheon (6) to release pushbutton (7) and springs (8) (9) to access cartridge.
4. Remove cartridge retaining nut (10) . Remove and replace cartridge (2) . When replacing cartridge be sure to align the inlet and outlet ports on the cartridge with the ports in the valve body.
5. Install item (10) using maintenance tool (5) (Be careful not to over tighten)
6. Install button assembly items (6) (7) (8) (9) using maintenance tool (5) . Insure springs are installed in button correctly.
7. Reinstall strainer (4) and plug (3) using maintenance tool (5) .



ITEM	PART NUMBER	DESCRIPTION
1	7003-095-001	VALVE ASSEMBLY
2	7000-060-000	FLOW REGULATOR CARTRIDGE(0.5 GPM)
3	7003-097-001	O-RING & STRAINER PLUG
4	7003-864-000	STRAINER FILTER SCREEN
5	7003-194-199	(-VR) MAINTENANCE TOOL
6	7003-197-199	(-VR) PUSHBUTTON ESCUTCHEON, CHROME
7	7003-196-199	(-VR) PUSHBUTTON, CHROME
8	7003-195-000	(-VR) PUSHBUTTON OVERTRAVEL SPRING
9	7003-193-000	(-VR) PUSHBUTTON RETURN SPRING
10	7000-052-000	RETAINING NUT
11	7003-099-001	(-VR) PUSHBUTTON ASSY - ITEMS #5 THRU #9

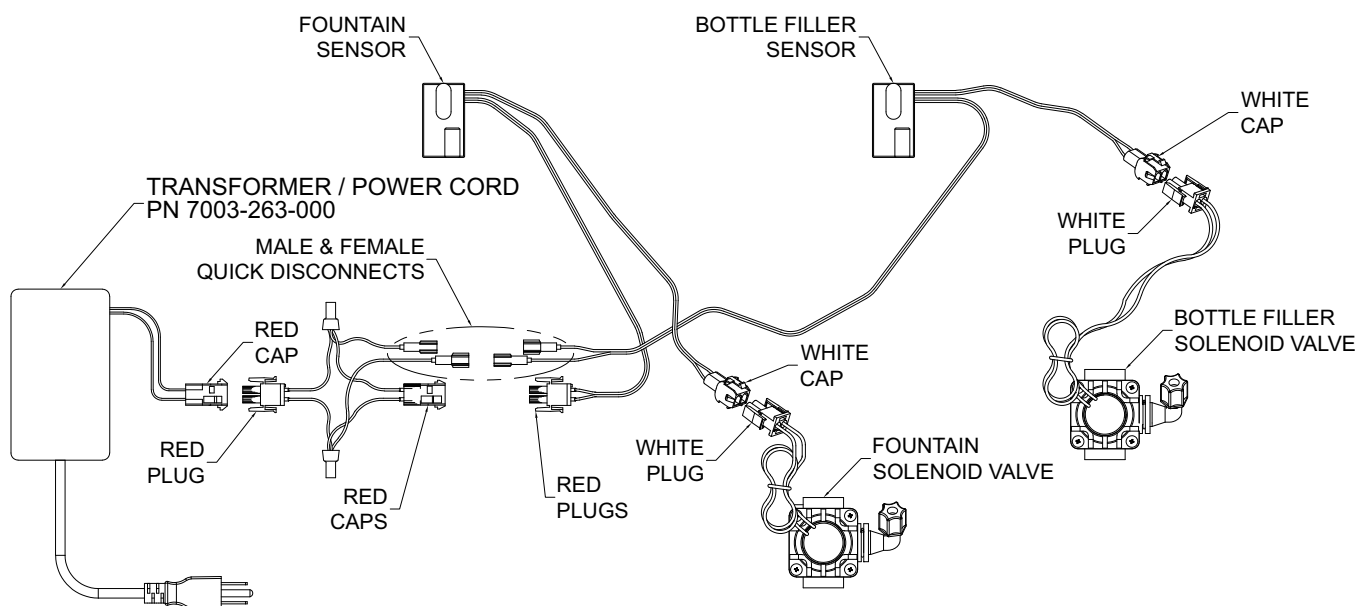
NOTE: STRAINER FILTER SCREEN MUST BE IN PLACE FOR WATER TO FLOW.

-SO SENSOR OPERATED CARTRIDGE VALVE PARTS BREAKDOWN



ITEM #	PART NUMBER	DESCRIPTION
1	7000-050-001	Valve Cartridge Assembly
2	7000-060-000	Valve Cartridge
3	7000-053-199	Jam Nut

-SO SENSOR OPERATED WIRING DIAGRAM WITH -BF12, -BF12S



FOR A171.8-UG-SO ONLY

SENSOR RANGE ADJUSTMENT

- A. Disconnect sensor from power supply.

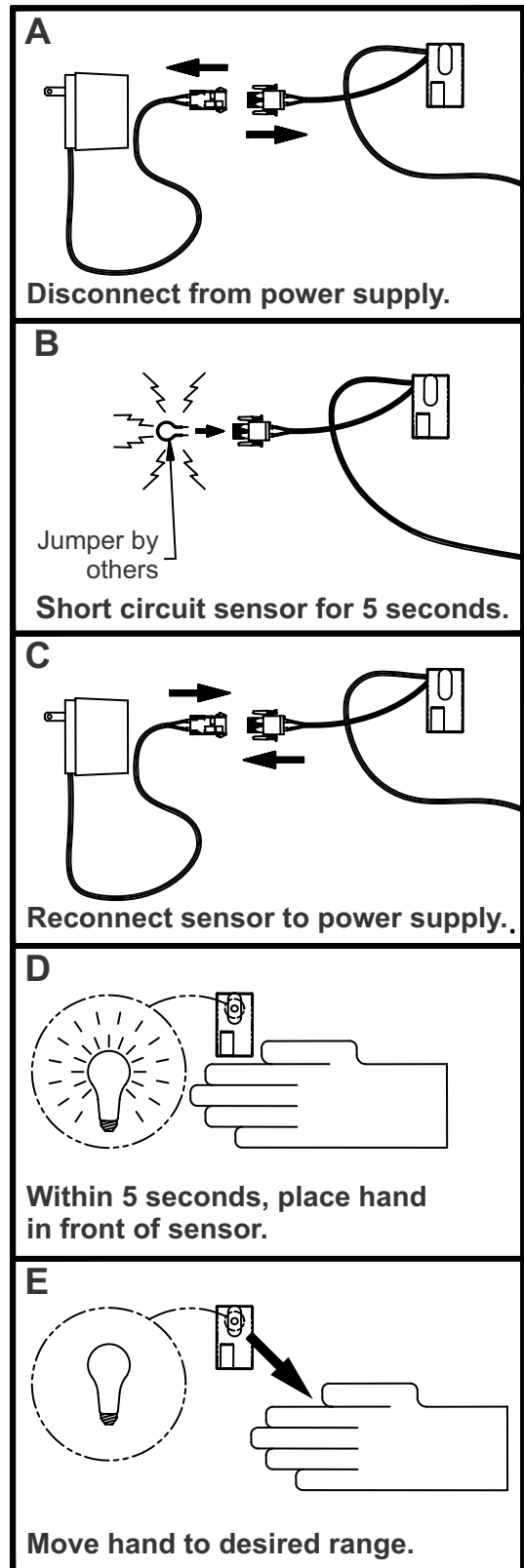
- B. Create a short circuit between the positive and negative connections on the sensor for five seconds. **WARNING: Do NOT** create a short circuit on the power supply or while the sensor is connected to the power supply.

- C. Reconnect the sensor to the power supply.

- D. Within 5 seconds of making the connection to the power supply, place and hold hand 2" to 4" in front of sensor.

- E. Once red light within sensor begins flashing quickly, move hand to preferred activation distance, move hand to preferred activation distance and hold there until light stops flashing.

Check sensor activation distance. If unsatisfactory, repeats steps A through E.

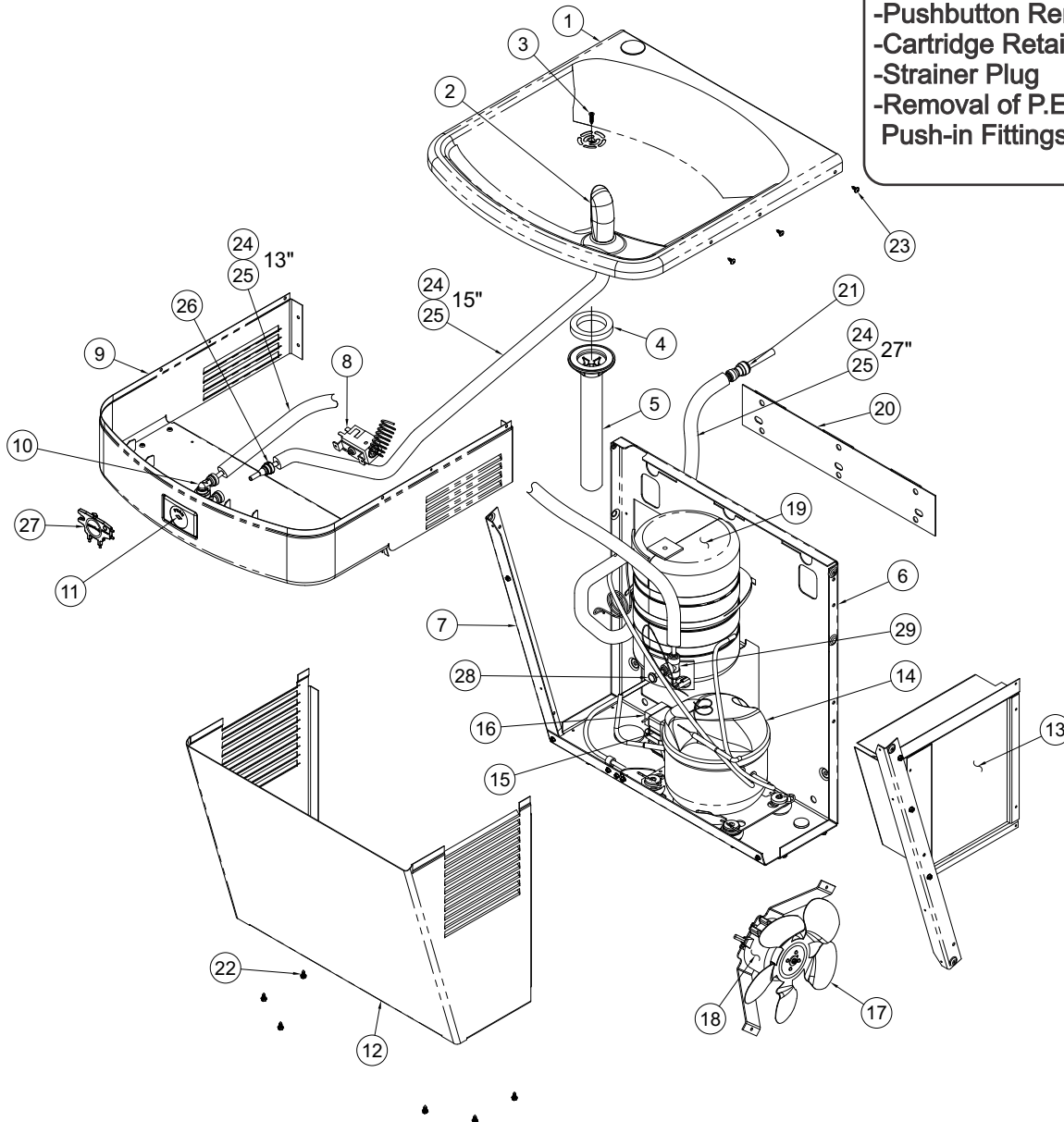
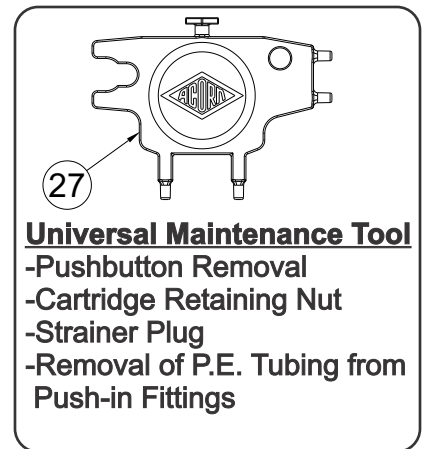


A172.8-UG WATER COOLER PARTS BREAKDOWN

NOTE: See following page for fixture drawing corresponding to table of parts below.

NOTE:

(*) Flow Restrictor Only Available with Low Flow Bubbler



Standard A171.8 series refrigerated ADA Water Cooler shown. All 1/4" O.D. Plastic Tubing (24) must be insulated with (25) foam insulation.

NOTE: See next page for table of part numbers corresponding to drawing above.

A172.8-UG WATER COOLER PARTS BREAKDOWN TABLE

NOTE: See previous page for fixture drawing corresponding to table of parts below.

ITEM#	PART NUMBER	DESCRIPTION
1	7003-161-001	BASIN TOP w/ PLUG
2	7000-099-002	LOW-FLOW FLEXIBLE BUBBLER ASSEMBLY
	7000-012-001	STAINLESS STEEL BUBBLER ASSEMBLY
3	0124-036-000	#8 x 3/4" LG PHIL FLAT HD TORX C/R SCREW
4	7000-006-000	FLAT DRAIN GASKET
5	7003-180-000	DRAIN TAILPIECE
6	7003-900-199	BACK PANEL
7	7003-007-199	SUPPORT STRUT
8	7003-250-000	COLD CONTROL
9	7003-953-002	APRON ASSEMBLY - GRAY
	7003-826-002	APRON ASSEMBLY - STAINLESS STEEL
10	7003-095-001	VALVE ASSEMBLY
11	7003-099-000	PUSHBUTTON
12	7003-951-020	COVER - GRAY
	7003-035-299	COVER - STAINLESS STEEL
13	7003-201-000	CONDENSER
14	7012-801-000	COMPRESSOR
	7012-030-001	COMPRESSOR - 220V
15	7012-802-000	START RELAY
	7012-031-000	START RELAY - 220
16	7012-803-000	START CAPACITOR
	7012-032-000	START CAPACITOR - 220
17	7003-350-000	FAN BLADE
18	7003-302-000	FAN MOTOR
	7012-062-001	FAN MOTOR - 220V
19	7003-125-001	EVAPORATOR ASSEMBLY
20	7003-950-199	HANGER BRACKET
21	1895-123-000	SUPPLY INLET CONNECTION
22	0124-031-000	#8 x 3/8" LONG SLOTTED HEX WASHER HD SCREW
23	0124-036-000	#8 x 1/2" LONG TORX BUTTON HEAD C/R SCREW
24	2169-000-000	1/4" O.D. TUBING
25	7012-055-000	TUBE INSULATION
26	7003-093-001	FLOW RESTRICTOR - LOW-FLOW BUBBLER ONLY
27	7003-830-000	UNIVERSAL MAINTENANCE TOOL
28	1895-715-000	1/4" PLUG
29	1895-710-000	1/4" O.D. PUSH-IN TEE

Repairs must be made with Murdock Manufacturing parts only. Please order through your local representative or distributor.

A171.8-UG-VR COOLER PARTS BREAKDOWN

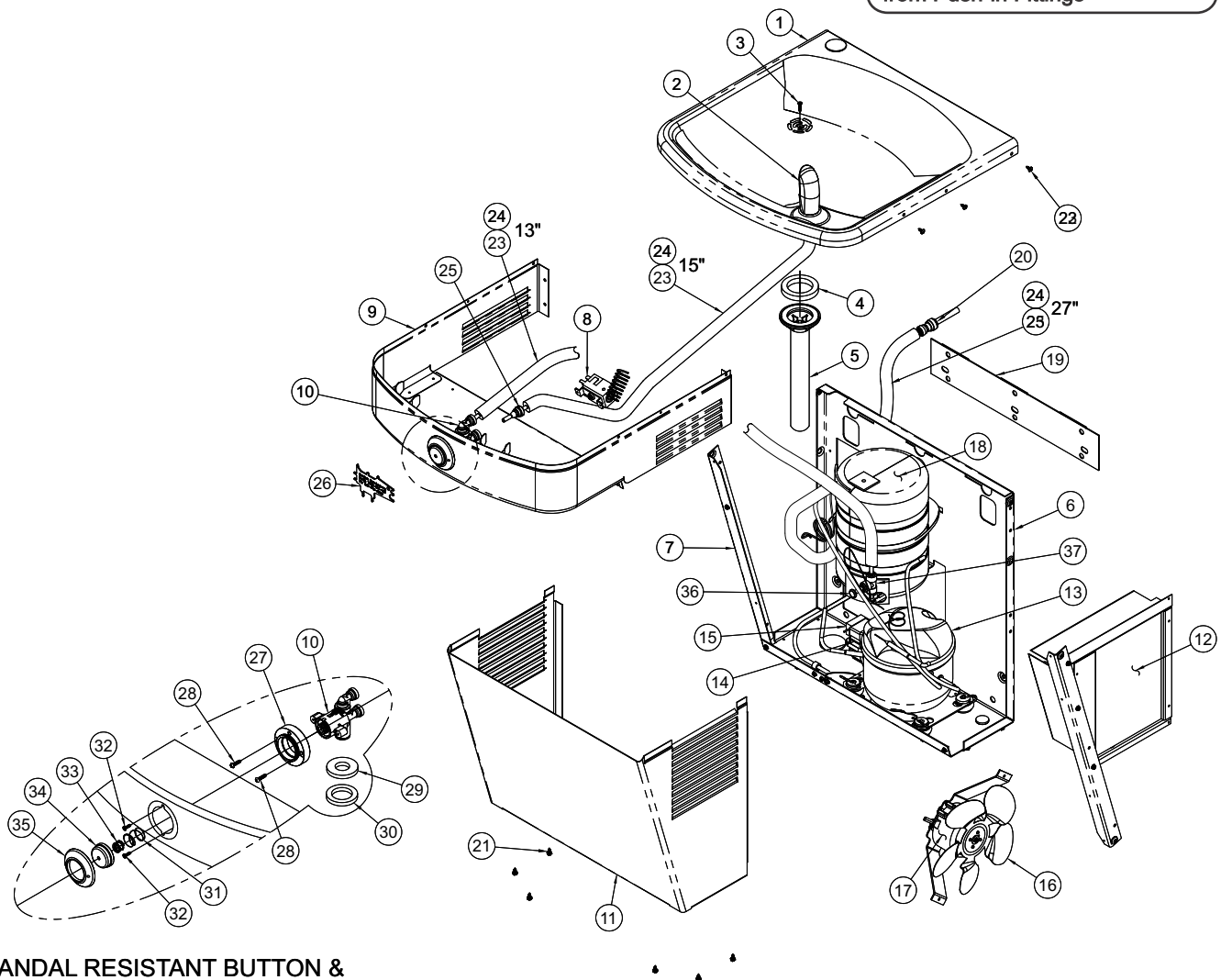
NOTE: See following page for fixture drawing corresponding to table of parts below.



Murdock Manufacturing
Part#: 7003-194-199
Ph: 800-743-8259

26

Universal Maintenance Tool
-Button Removal
-Cartridge Retaining Nut
-Strainer Plug
-Removal of P.E. Tubing from Push-in Fittings



**VANDAL RESISTANT BUTTON &
VALVE BREAKDOWN
NOT TO SCALE**

Standard A171.8-U-VR series refrigerated ADA cooler shown. All 1/4" O.D. Plastic tubing (24) must be insulated with (25) foam insulation.

NOTE: See next page for table of part numbers corresponding to drawing above.

A171.8-UG-VR COOLER PARTS BREAKDOWN TABLE

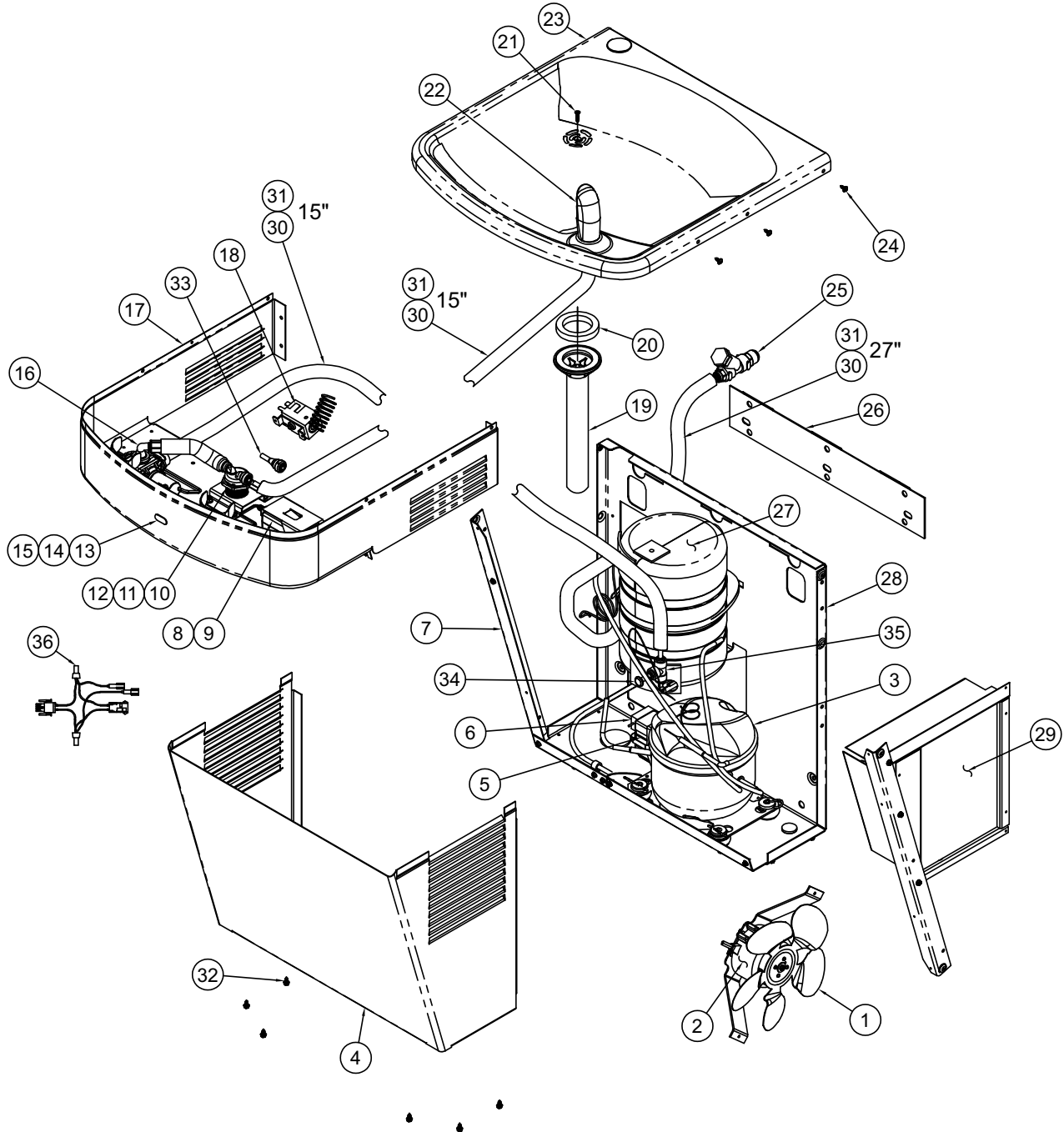
NOTE: See previous page for fixture drawing corresponding to table of parts below.

ITEM #	PART NUMBER	DESCRIPTION
1	7003-161-001	BASIN TOP
2	7000-012-001	STAINLESS STEEL BUBBLER ASSEMBLY
	7000-099-002	LOW-FLOW FLEXIBLE BUBBLER ASSEMBLY
3	0124-036-000	#8 x 3/4" LG PHIL FLAT HD TORX C/R SCREW
4	7000-006-000	FLAT DRAIN GASKET
5	7003-180-001	DRAIN TAILPIECE
6	7003-900-199	BACK PANEL
7	7003-007-199	SUPPORT STRUT
8	7003-250-000	COLD CONTROL
9	7003-952-021	APRON ASSEMBLY - GRAY
	7003-211-004	APRON ASSEMBLY - STAINLESS STEEL
10	7003-095-001	VALVE ASSEMBLY (N/A FOR -SO)
11	7003-951-020	COVER - GRAY
	7003-035-299	COVER - STAINLESS STEEL
12	7003-201-000	CONDENSER
13	7012-801-000	COMPRESSOR
	7012-030-001	COMPRESSOR - 220V
14	7012-802-000	START RELAY
	7012-031-000	START RELAY - 220
15	7012-803-000	START CAPACITOR
	7012-032-000	START CAPACITOR - 220
16	7003-350-000	FAN BLADE
17	7003-302-000	FAN MOTOR
	7012-062-001	FAN MOTOR - 220V
18	7003-125-001	EVAPORATOR ASSEMBLY
19	7003-950-199	HANGER BRACKET
20	1895-123-000	SUPPLY INLET CONNECTION
21	0124-031-000	#8 x 3/8" LONG SLOTTED HEX WASHER HD SCREW
22	0124-036-000	#8 x 1/2" LONG TORX BUTTON HEAD C/R SCREW
23	2169-000-000	1/4" O.D. TUBING
24	7012-055-000	TUBE INSULATION
25	7003-093-001	FLOW RESTRICTOR - LOW-FLOW BUBBLER ONLY
26	7003-194-199	(-VR) MAINTENANCE TOOL
27	7003-198-199	(-VR) PUSHBUTTON MOUNTING SLEEVE
28	0124-055-000	#8x3/4 PHILLIPS ROUND HEAD SS SM SCREW
29	7003-199-000	AUTO-STOP CONDENSATION GASKET, UPPER
30	7003-200-000	AUTO-STOP CONDENSATION GASKET, LOWER
31	7003-193-000	(-VR) PUSHBUTTON RETURN SPRING
32	0161-062-000	#6-32 x 1/2" S/S PHIL FLAT HD SCREW
33	7003-195-000	(-VR) PUSHBUTTON OVERTRAVEL SPRING
34	7003-196-199	(-VR) PUSHBUTTON, CHROME
35	7003-197-199	(-VR) PUSHBUTTON ESCUTCHEON, CHROME
36	1895-715-000	1/4" PLUG
37	1895-710-000	1/4" O.D. PUSH-IN TEE

Repairs must be made with Murdock Manufacturing parts only. Please order through your local representative or distributor.

A171.8-UG-SO COOLER PARTS BREAKDOWN

NOTE: See following page for fixture drawing corresponding to table of parts below.



Standard A171.8-UG-SO series refrigerated ADA cooler shown. All 1/4" O.D. Plastic tubing (30) must be insulated with (31) foam insulation.

NOTE: See next page for table of part numbers corresponding to drawing above.

A171.8-UG-SO COOLER PARTS BREAKDOWN TABLE

NOTE: See previous page for fixture drawing corresponding to table of parts below.

ITEM #	PART NUMBER	DESCRIPTION
1	7003-355-000	FAN BLADE, 5 BLADE
2	7003-302-000	MOTOR, FAN 120V
	7012-062-001	MOTOR, FAN - 220 V
3	7012-801-001	COMPRESSOR ASSEMBLY, WITH ACCESSORIES
4	7003-951-020	LOWER CABINET - GRAY
	7003-035-299	LOWER CABINET - STAINLESS STEEL
5	7012-802-000	RELAY,PCT STARTING
6	7012-803-000	CAPACITOR, RUN TYPE
7	7003-007-199	SUPPORT STRUT
8	0711-407-001	240V AC/9V DC TRANSFORMER
9	7003-028-199	TRANSFORMER BRACKET
10	7000-050-001	VALVE CARTRIDGE ASSEMBLY
11	7000-060-000	FLOW REGULATOR CARTRIDGE (0.5 GPM)
12	7003-023-199	CARTRIDGE MOUNTING BRACKET, SENSOR OP.
13	2563-385-002	NANO SENSOR ASSEMBLY
14	7003-029-199	BRACKET, SENSOR
15	7001-203-199	SENSOR SPACER WITH BUSHING
16	7001-200-001	SOLENOID/VALVE MOUNTING ASSEMBLY
17	7003-922-020	APRON ASSEMBLY - GRAY
	7003-029-005	APRON ASSEMBLY, STAINLESS STEEL
18	7003-250-000	COLD CONTROL (TEMPERATURE)
19	7003-180-000	WASTE TAILPIECE
20	7000-006-000	FLAT DRAIN ADAPTER GASKET
21	0124-008-000	#8 x 3/4" LG PHIL FLAT HD TORX C/R SCREW
22	7000-099-002	LOW FLOW BUBBLER ASSEMBLY
	7000-012-001	STAINLESS STEEL SOLID DRINKING BUBBLER ASSEMBLY
23	7003-161-001	COOLER TOP
24	0124-036-000	#8 x 1/2" LONG TORX BUTTON HEAD C/R SCREW
25	7000-021-001	"Y" STRAINER ASSEMBLY, 1/4" NPT
26	7003-950-199	HANGER BRACKET
27	7003-125-001	EVAPORATOR ASSEMBLY
28	7003-900-199	BACK PANEL
29	7003-201-000	CONDENSER
30	2169-000-000	1/4" O.D. LLDPE TUBING, BLUE
31	7012-055-000	FOAM PIPE INSULATION 3/8" I.D. x 1/4" THICK
32	0124-031-000	#8x3/8" LONG SLOTTED HEX WASHER HD SCREW
33	7003-093-001	FLOW RESTRICTOR - LOW FLOW BUBBLER ONLY
34	1895-715-000	1/4" PLUG
35	1895-710-000	1/4" O.D. PUSH-IN TEE
36	0711-450-001	2 STATION 9VAC WIRING HARNESS

Repairs must be made with Murdock Manufacturing parts only. Please order through your local representative or distributor.