

## A171.8-UG-VR Series

**BASE MODEL A171408S-UG-VR**  
BARRIER FREE, VANDAL RESISTANT BUTTON,  
WALL MOUNTED WATER COOLER

### STANDARD FEATURES

- *Rough-Ins Match Other Manufacturer's for Easy Replacement*
- *EZ Door<sup>®</sup> Filter, 30-Second Filter Replacement Option*
- *Lead-Free*
- *Child or Adult ADA Compliant (When Properly Installed)*
- *Apron and One-Piece Bottom Wrapper is Satin Finish Or Gray Powder Coat Finish*
- *304 Stainless Steel Basin and Flush Mounted Chrome Plated Brass Button*
- *Polished Stainless Steel, Anti-Rotation, Non-Squirt Bubbler*
- *100-Mesh Inlet Strainer*
- *Hanging Bracket provided*
- *Auto-stop allows Cartridge and Strainer Service Without Shutting Off Water Supply*

### SUGGESTED SPECIFICATIONS

Model A171408S-UG-VR is a self-contained, Water Cooler that shall deliver a minimum of **8.0 GPH** (30.3 LPH) of water at 50°F (10°C) cooled from 80°F (26.7°C) inlet water and 90°F (32.2°C) ambient. Unit shall be activated by Vandal Resistant Chrome Plated Brass Pushbutton using less than 5 pounds of force. Bubbler shall be Lead-Free Stainless Steel with an integrally designed Non-Squirt feature and operate on a pressure range of 20-105 PSIG. Basin shall be constructed from 304 Stainless Steel and have an Integral Drain. Cabinet shall be Stainless Steel with Satin Finish or Galvanized/Galvannealed Steel with Gray Powder Coat Finish. Cooling system shall use R-134a refrigerant and be Capillary Tube controlled. Unit shall be listed by Underwriters Laboratories for both the US and Canada and is to be compliant to ANSI/ASHRAE 18. Unit shall be certified to Public Law 111-380 (NO-LEAD) and NSF/ANSI/CAN 61. Fixture meets ADA, ADA Standing Person, and ADA Child requirements when mounted appropriately. Unit shall still deliver ambient water temperature to the Bubbler in the absence of electrical power as long as there is a pressurized water supply.

Model Number	GPH*	Rated Watts	Full Load Amps	Approx. Shipping Weight
A171408S-UG-VR	8.0	335	4.1	85 lbs.

\* GPH of 50°F water at 90°F ambient room temperature and 80°F inlet water temperature  
Compressor motor operates on 115 Volt / 60 Hz single phase.

Complies with the following standards:



NSF/ANSI/CAN 61

ANSI/ASHRAE 18



WARNING: Cancer and Reproductive Harm - [www.P65Warnings.ca.gov](http://www.P65Warnings.ca.gov)

**MURDOCK MFG.** • 15125 Proctor Avenue • City of Industry, CA 91746 USA  
Phone 800-453-7465 or 626-333-2543 • [www.murdockmfg.com](http://www.murdockmfg.com)



Model A171408S-UG-VR Shown  
PATENT# 10,100,933



**Maintenance Advantage<sup>®</sup>**  
Water Cooler by Murdock Manufacturing

**“RATED FOR INDOOR OR OUTDOOR USE”**

### MODEL:

*(Must Specify)*

### FLEXIBLE BUBBLER

- A171108F-UG-VR Gray Finish
- A171408F-UG-VR Satin Stainless Finish

### STAINLESS STEEL BUBBLER

- A171108S-UG-VR Gray Finish
- A171408S-UG-VR Satin Stainless Finish (Standard-Shown)

### OPTIONS:

*(Additional costs may apply.)*

- LOGO Customer Specified Logo / Graphics
- 220V 220 Volt / 50 Hz or 60Hz Compressor

### ACCESSORIES:

*(Additional costs may apply. Accessory items are packaged separately.)*

- WF3EZ 3000-Gallon EZ Door<sup>®</sup> PFAS Filter<sup>1</sup>  
NSF/PFAS/Lead Bacteria/Chlorine/Microplastics

### NOTES:

1 - Refer to Supplemental Submittal Sheet for Details.

### Compatible Mounting Support Carrier

Jay R. Smith Mfg. Co. Figure # 0830 <https://www.JRSmith.com>

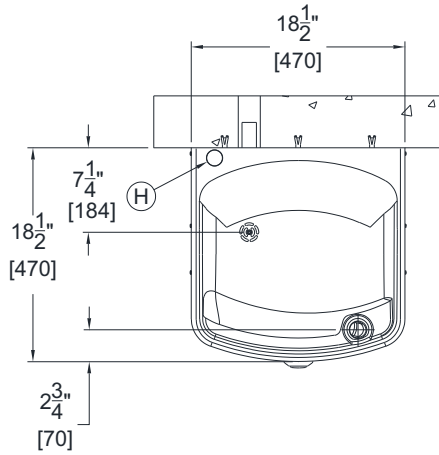
**NOTE:** Units installed with exposure to extreme hot or cold temperatures require adequate protection. Units are not freeze resistant. Refer to Installation Instructions for complete details.

**3000 Gallon PFAS Filter Certifications** [Product Warranty](#)

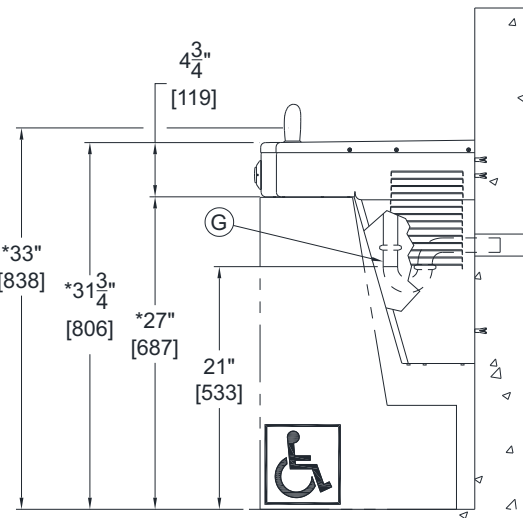
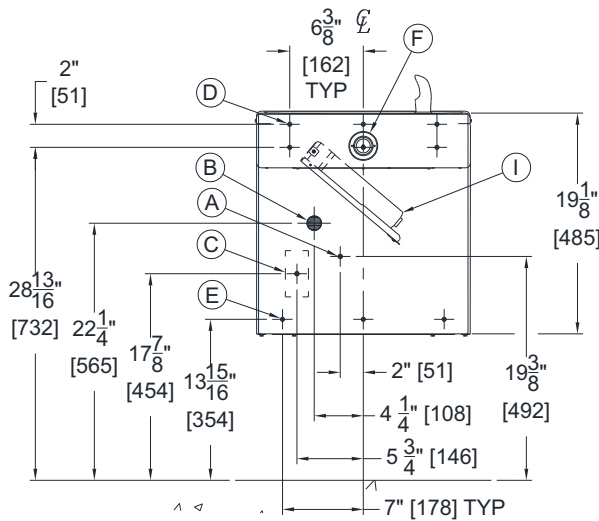
Member of  
**MORRIS GROUP**  
INTERNATIONAL

**A171.8-UG-VR Series**

**BASE MODEL A171408S-UG-VR**  
BARRIER FREE, VANDAL RESISTANCE,  
WALL MOUNTED WATER COOLER



- A. 3/8" O.D. SUPPLY INLET
- B. WASTE OUTLET FOR P-TRAP BY OTHERS FOR PROVIDED 1-1/4" O.D. TAILPIECE
- C. ELECTRICAL SERVICE ROUGH
- D. Ø3/8" HANGER BRACKET PUNCHING, 6 PLACES FOR ANCHORING HARDWARE BY OTHERS
- E. Ø1/4" PUNCHING, 3 PLACES FOR ANCHORING HARDWARE BY OTHERS
- F. PUSHBUTTON CARTRIDGE
- G. 1-1/4" [32] O.D. TAILPIECE FOR P-TRAP BY OTHERS
- H. REMOVABLE PLUG FOR BOTTLE FILLER (-BF11 OR -BF12 ONLY)
- I. OPTIONAL -WF1EZ/WF3EZ DOOR® PFAS FILTER



**GENERAL NOTES:**

1. ALL DIMENSIONS ARE IN INCHES [MM]
2. ALLOW 4 INCHES [102 MM] MINIMUM CLEARANCE PER SIDE FOR VENTILATION.
- \*3. DIMENSIONS SHOWN ARE FOR ADA ADULT HEIGHT. ADJUST VERTICAL DIMENSIONS AS NEEDED TO COMPLY WITH FEDERAL, STATE, & LOCAL CODES FOR ACCESSIBILITY.
4. WATER SUPPLY STOP VALVE, P-TRAP WASTE, AND ELECTRICAL OUTLET (WHEN REQUIRED) ARE BY OTHERS.
5. IMPORTANT: FIXTURES MUST BE ATTACHED TO WALL WITH APPROPRIATE WALL ANCHORS AND HARDWARE TO SUIT WALL CONSTRUCTION. (MOUNTING ANCHORS AND HARDWARE ARE PROVIDED BY OTHERS.)

**IMPORTANT: Dimensions are shown for reference only. Refer to product Installation Manual for complete details prior to Rough-in.**

**SELECTION SUMMARY & APPROVAL FOR MANUFACTURING**

Model Number & Options _____	Quantity _____
Company _____	
Contact _____	Title _____
Signature (Approval for Manufacturing) _____	Date _____

All dimensions are subject to manufactures tolerance of plus or minus 1/4" nominal and subject to change without notice. Murdock® assumes no responsibility for use of void or superseded data. Dimensions may change with the addition of optional accessories. Murdock® Mfg., Member of Morris Group International®. Please visit [www.murdockmfg.com](http://www.murdockmfg.com) for most current specifications.