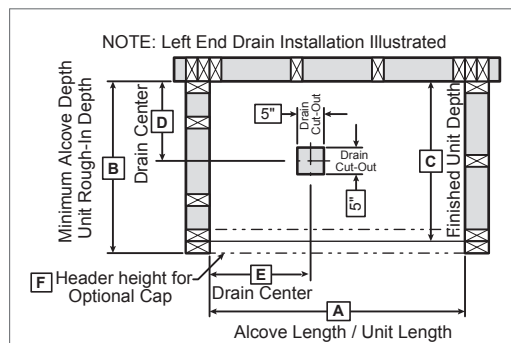


# TECHNICAL SPECIFICATIONS

## KDS 3460

**MODEL NUMBER 142042**

DIMENSIONS: 59 3/4" x 33 1/2" x 82 1/8" Gelcoat



Model	No Seat					Seat
	A	B	C	D	E	D
142042	60"	34 1/2"	33 1/2"	30"	14 1/8"	8 5/8"

### STANDARD FEATURES

- Four-piece gelcoated fiberglass shower with PIN system for easy front installation
- Large top corner shelves, wide soap dish and standard acrylic handle (opt. metallic finishes)
- Right/left-hand seat (drain opposite to seat) or no seat (center drain)
- Optional unique features: Reinforced walls and grab bars
- Product also available in above-the-floor rough
- Textured floor

### UNIQUE FEATURES

- PIN system

### OPTIONS

- Shower base only KDS 3460 with pin system
- Side walls (right and left) for KDS 3448 & 3460
- Back wall for KDTS 3060, KDTS 3260, KDS 3060 and KDS 3460
- Wall reinforcement (one wall)
- Pre-assembled unit
- 18" Modern straight grab bar

### SYSTEMS

- None

### DOOR SELECTION

Combine with AKER's complete shower door offering visit

### CERTIFICATIONS

AKER products adhere to one or more of the following certifications:



Project : .....

Contractor : .....

AKER Representative : ..... Tel : .....

Date : .....

# TECHNICAL SPECIFICATIONS

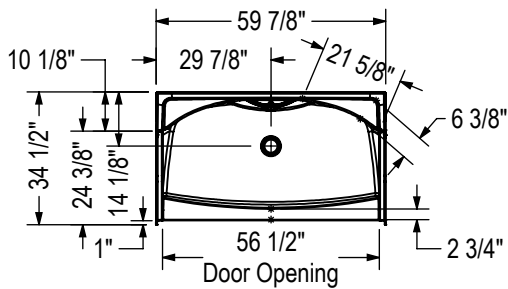
## KDS 3460

MODEL NUMBER 142042

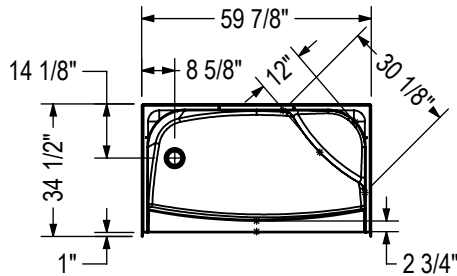
### TECHNICAL DRAWINGS

#### STANDARD

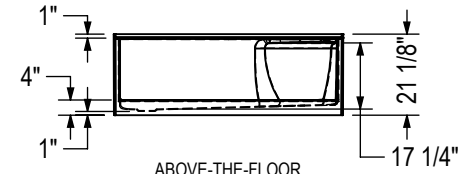
NO SEAT



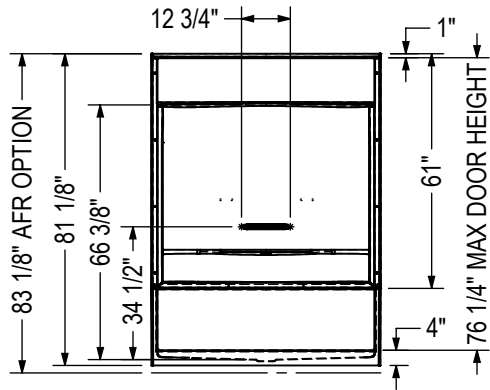
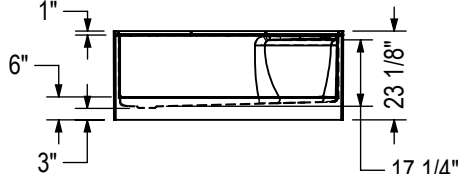
RIGHT SEAT SHOWN  
LEFT SEAT SYMMETRICAL



NOT ABOVE-THE-FLOOR

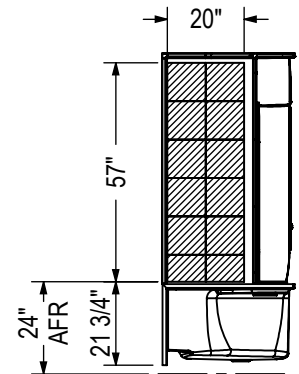


ABOVE-THE-FLOOR

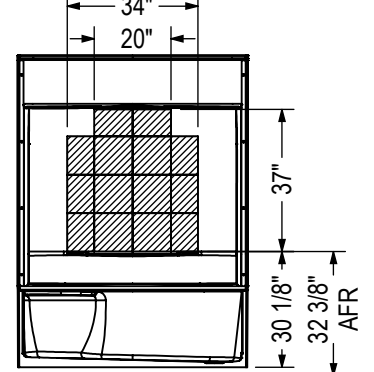


#### REINFORCEMENT BACKING

OPTION 20212-L Shown  
OPTION 20212-R Symmetrical

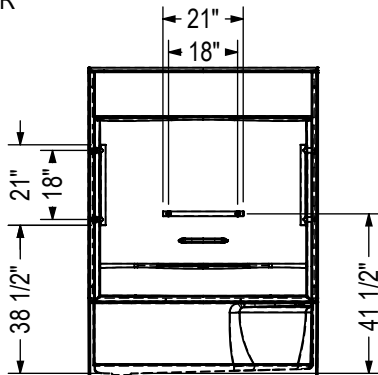


OPTION 20212-B

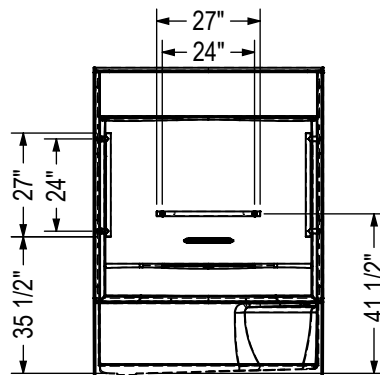


#### GRAB BAR

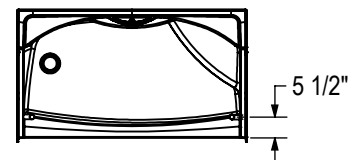
OPTION 20203



OPTION 20204



OPTION  
20203-20204



All dimensions are approximate. Structure measurements must be verified against the unit to ensure proper fit.