

# SUBMITTAL DATA SHEET

## No-Lead Low Pressure Valves Full Port Gate Valve – 72035T

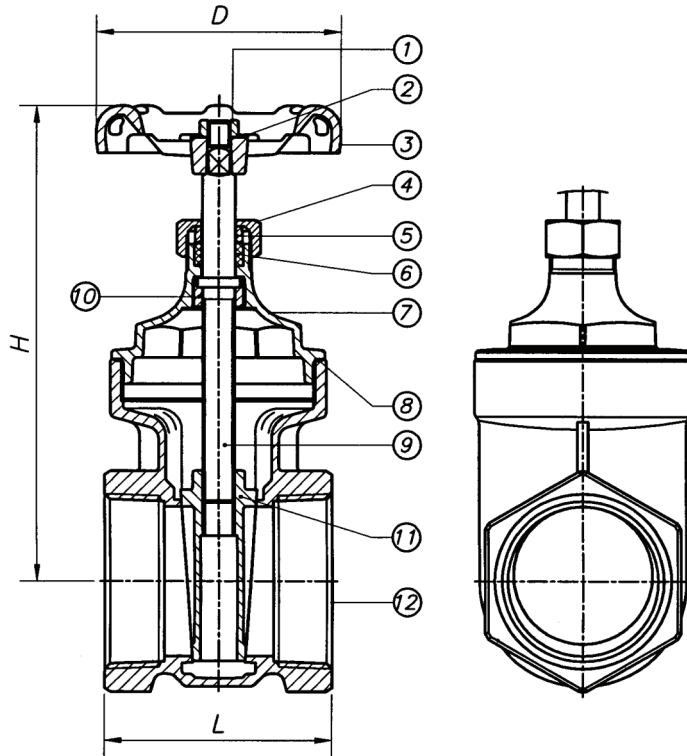
FNPT X FNPT



A.Y. McDonald Mfg. Co. No-Lead Low Pressure Valves are constructed from heavy duty no-lead bronze and are recommended for residential and commercial applications and positive shut-off with various inlet configurations.

### Dimensions

Size	D	H	L
1/4"	2.09	2.91	1.71
3/8"	2.09	2.91	1.71
1/2"	2.09	2.91	1.71
3/4"	2.13	3.31	1.81
1"	2.48	3.90	2.13
1 1/4"	2.72	4.61	2.24
1 1/2"	3.15	5.08	2.44
2"	3.52	5.98	2.70
2 1/2"	3.98	7.87	3.70
3"	4.37	8.82	4.02
4"	5.00	9.88	4.53



### Materials

No.	Part	Material
1	Wheel Nut	Steel
2	Name Plate	Aluminum
3	Hand Wheel	Cast Iron
4	Packing Nut	No-Lead Brass
5	Gland Ring	No-Lead Brass
6	Gland Packing	Graphite
7	Bonnet	No-Lead Brass
8	Packing	Fibre "H"
9	Stem	No-Lead Brass
10	Lock Nut	No-Lead Brass
11	Disc	No-Lead Brass
12	Body	No-Lead Brass

### SUBMITTAL INFORMATION

- 200 WOG
- Sizes: 1/4", 3/8", 1/2", 3/4", 1", 1 1/4", 1 1/2", 2", 2 1/2", 3", & 4"
- Threads conform to ANSI B1.20.1
- Solder ends conform to ANSI B16.18
- Non-rising stem
- Complies with NSF/ANSI 372-2010

**NO-LEAD:** The weighted average of the wetted surface of this no-lead product contacted by consumable water contains less than one quarter of one percent (0.25%) lead.



A.Y. McDonald Mfg. Co.  
P.O. Box 508  
Dubuque, IA 52004-0508

Toll Free: 1-800-292-2737  
Fax: 1-800-832-9296  
Hours: 7:00 a.m. - 5:00 p.m., CST

sales@aymcdonald.com  
www.aymcdonald.com

A.Y. McDonald considers the information on this assembly drawing correct when published. Item and option availability, including specifications, are subject to change without notice.

Submitted by: