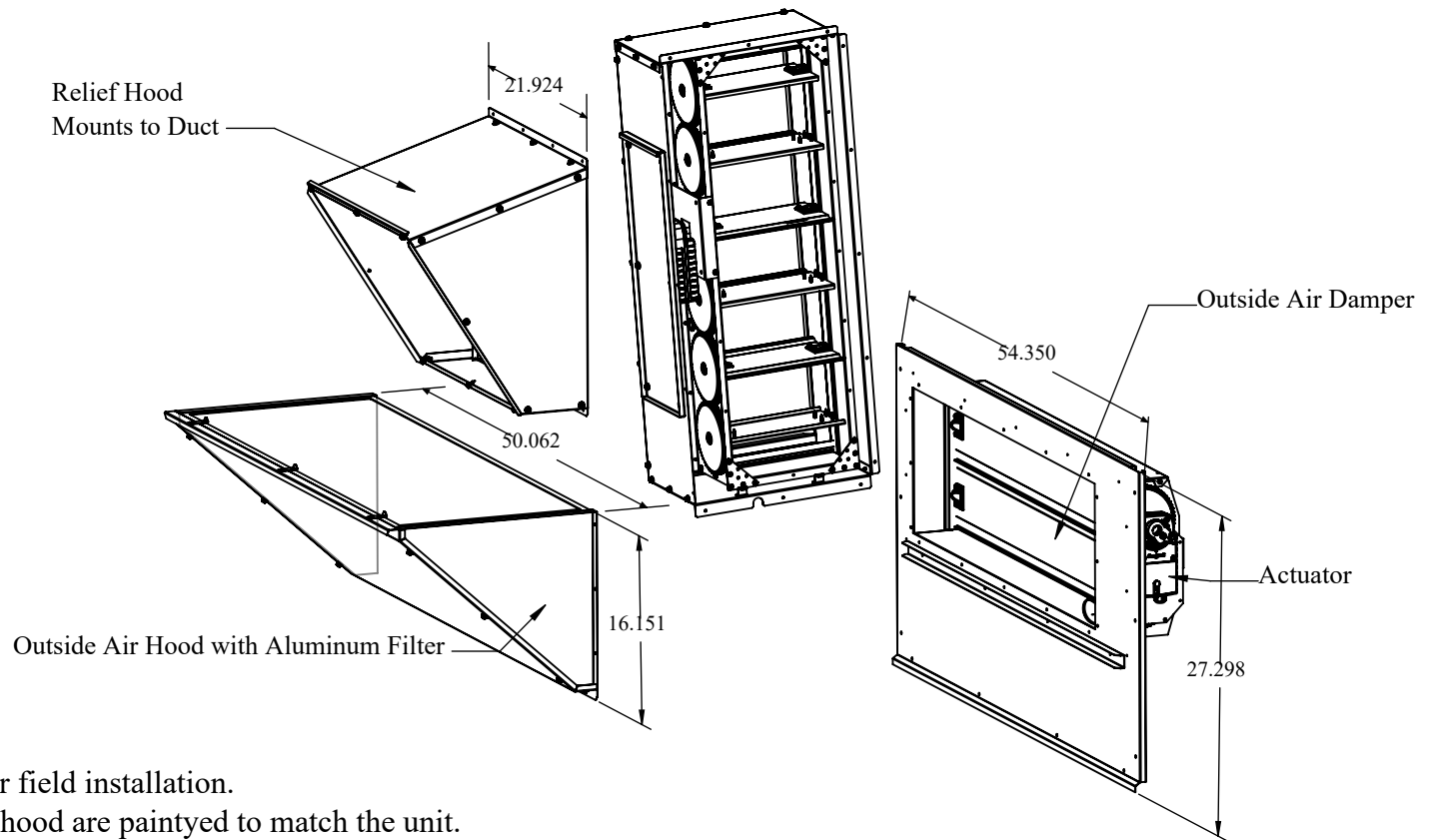


 MicroMetl	DATE:	WEIGHT (LBS): 132	DESCRIPTION: Specification sheet for Daikin Medium Cabinet 7.5 to 12.5 Ton Horizontal Economizer Ultra Low-Leak (Title 24) JADE Enthalpy	PART NUMBER: Daikin PN: 0270L01760 MicroMetl PN: ECE-DKN34CA-W2EH	
	SUBMITTED TO:	COMPANY:	JOB NAME:	APPROVED BY:	DATE:

FOR MODEL NUMBER:	DETAILS:
--------------------------	-----------------



Notes:

1. This economizer is for field installation.
2. Outside air and relief hood are painted to match the unit.
3. Hood is shipped assembled, and includes aluminium filter.
4. Filter Access Panel and Top Filter panels are insulated with 1"-1.5 lb density insulation.

NOTES:	CREATED BY:
---------------	--------------------

THIS DOCUMENT IS THE PROPERTY OF MICROMETL CORPORATION AND IS DELIVERED UPON THE EXPRESS CONDITION THAT THE CONTENTS WILL NOT BE DISCLOSED OR USED WITHOUT MICROMETL'S WRITTEN CONSENT. MANUFACTURER RESERVES THE RIGHT TO DISCONTINUE, OR CHANGE AT ANYTIME, SPECIFICATIONS & DESIGNS WITHOUT ANY NOTICE AND WITHOUT INCURRING OBLIGATIONS. COPYRIGHT MICROMETL CORPORATION 2017. ALL RIGHTS RESERVED