



A CSW Industrials Company

# TRUaire 800 Series

## Round Steel Ceiling Surface Mounted Diffuser

Model: \_\_\_\_\_ Size: \_\_\_\_\_

**Project Information:**

Job Name: \_\_\_\_\_  
 Location: \_\_\_\_\_  
 Engineer: \_\_\_\_\_  
 Submitted to: \_\_\_\_\_  
 For:           Reference           Approval           Construction  
 Submitted by: \_\_\_\_\_  
 Reference: \_\_\_\_\_

**Submittal Information:**

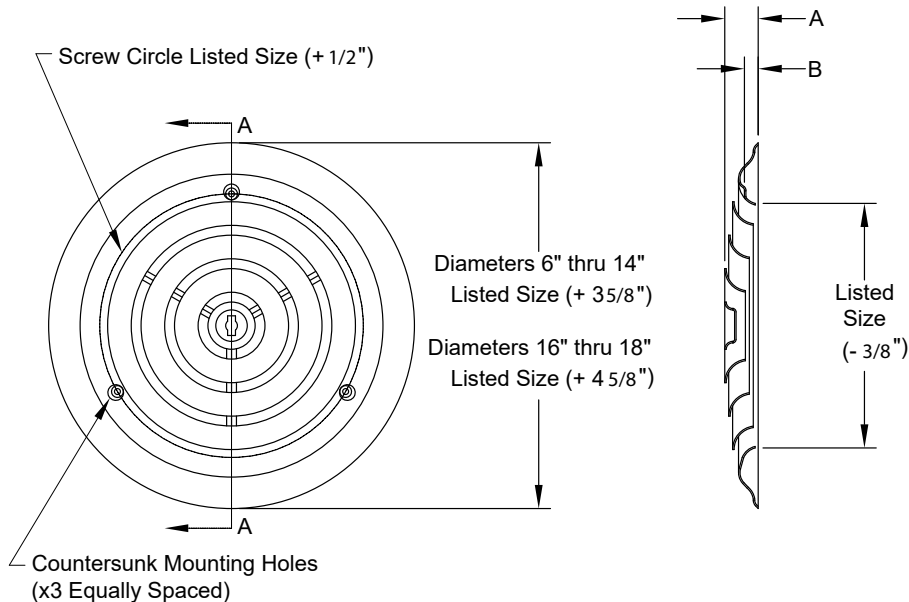
Approval: \_\_\_\_\_  
 Date: \_\_\_\_\_  
 Construction: \_\_\_\_\_  
 Unit #: \_\_\_\_\_  
 Drawing #: \_\_\_\_\_

**(Sec. 1) Features**

- Step Down 360°
- Pristine White Powder Coat Finish
- #8 x 2" Long Mounting Hardware

Nominal Size	Dimensions	
	"A"	"B"
6"	1 1/8"	7/16"
8"	1 1/8"	7/16"
10"	1 1/8"	7/16"
12"	1 1/8"	7/16"
14"	1 3/8"	7/16"
16"	1 5/8"	1/2"
18"	2"	1/2"

**(Fig. 1) Product Image:**



Note: This submittal is meant to demonstrate the general dimensions of this product. The illustrations are not meant to detail every aspect of the product. Drawings are not to scale.



**RectorSeal® • 2601 Spenwick Drive • Houston, TX 77055 • 800-231-3345 • [rectorseal.com](http://rectorseal.com)**

A CSW Industrials Company. RectorSeal, the logos and other trademarks are property of RectorSeal, LLC, its affiliates or its licensors and are protected by copyright, trademark and other intellectual property laws, and may not be used without permission. RectorSeal reserves the right to change specifications without prior notice. ©2023 RectorSeal. All rights reserved. R50956-0323